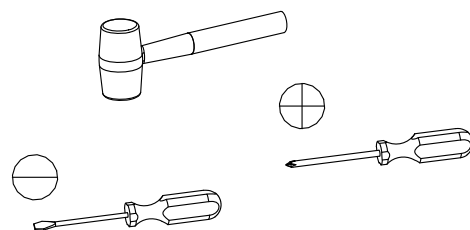
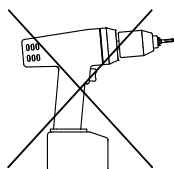
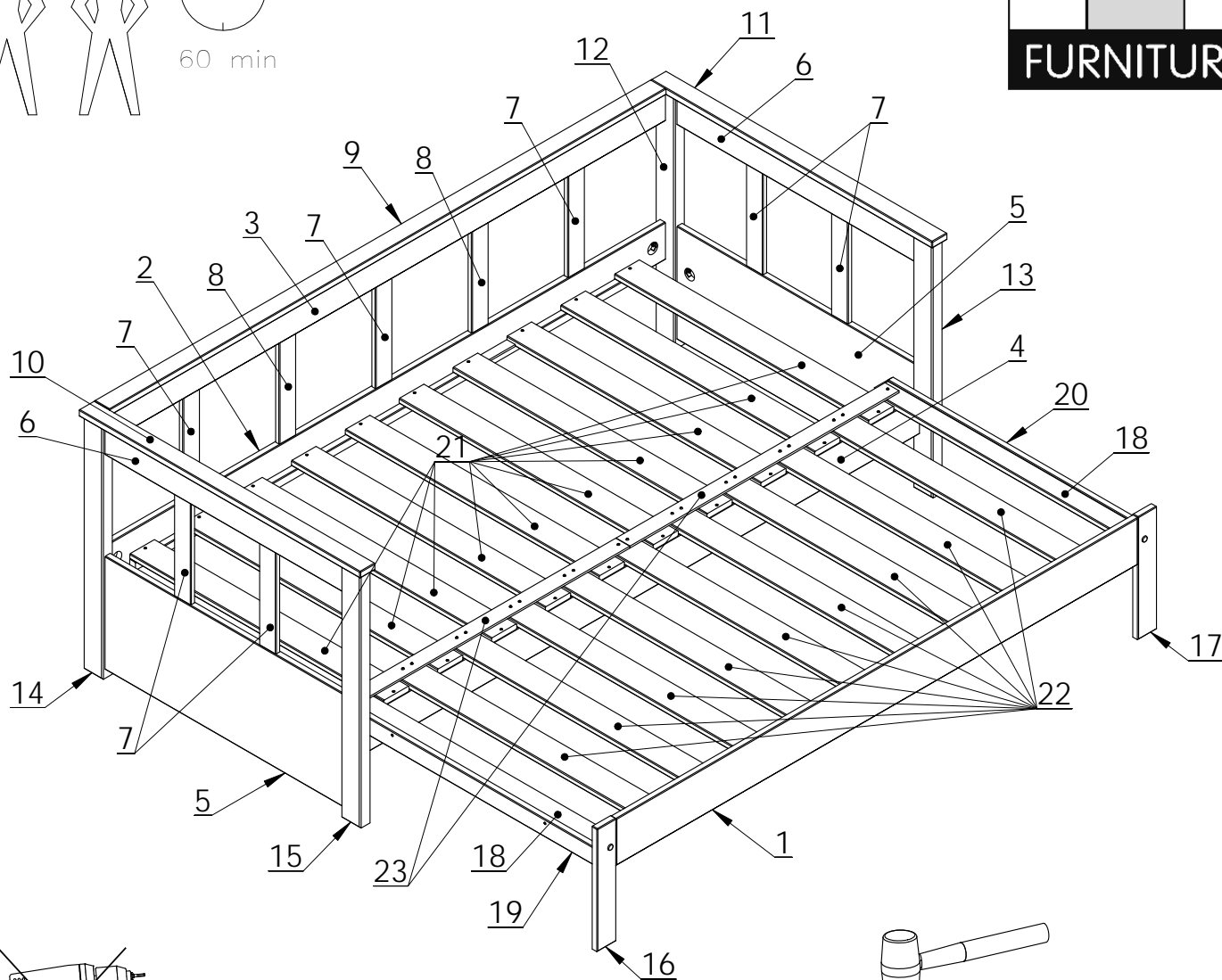
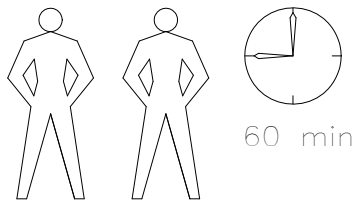


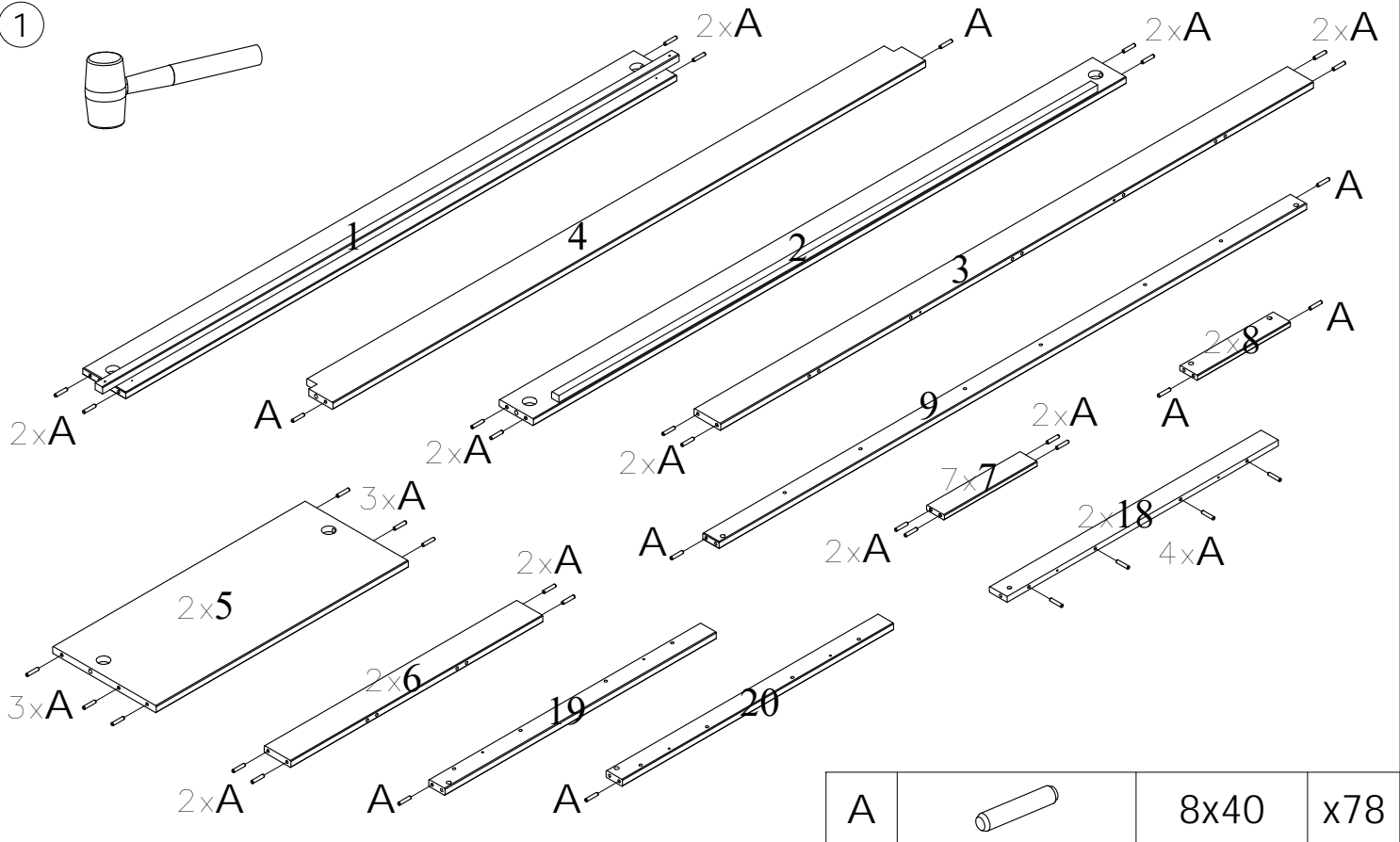
LV699-106



A		8x40	x96
B		7x60	x10
C		D35	x10
D		M6x55	x2
E		M6x10x13	x2
F		6,1x24x35	x8
G		D12x10	x8
H		5x50	x4

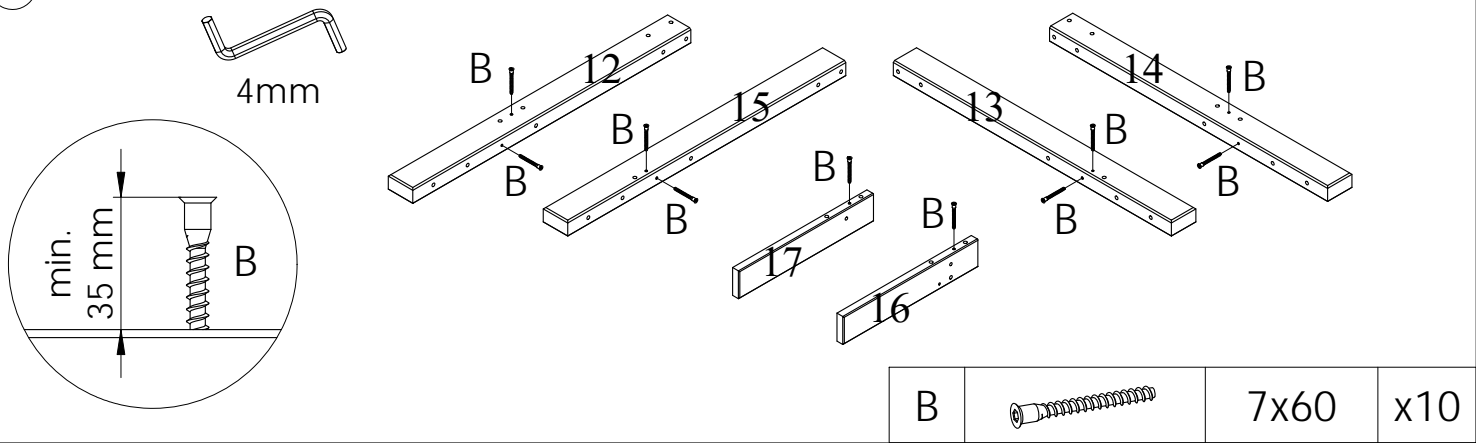
K		4x20	x24
M		3,5x35	x31
R		D15x18	x2
S		60x50x4	x2
T		102x30x6	x2
U			x1
V		4mm	x1

①



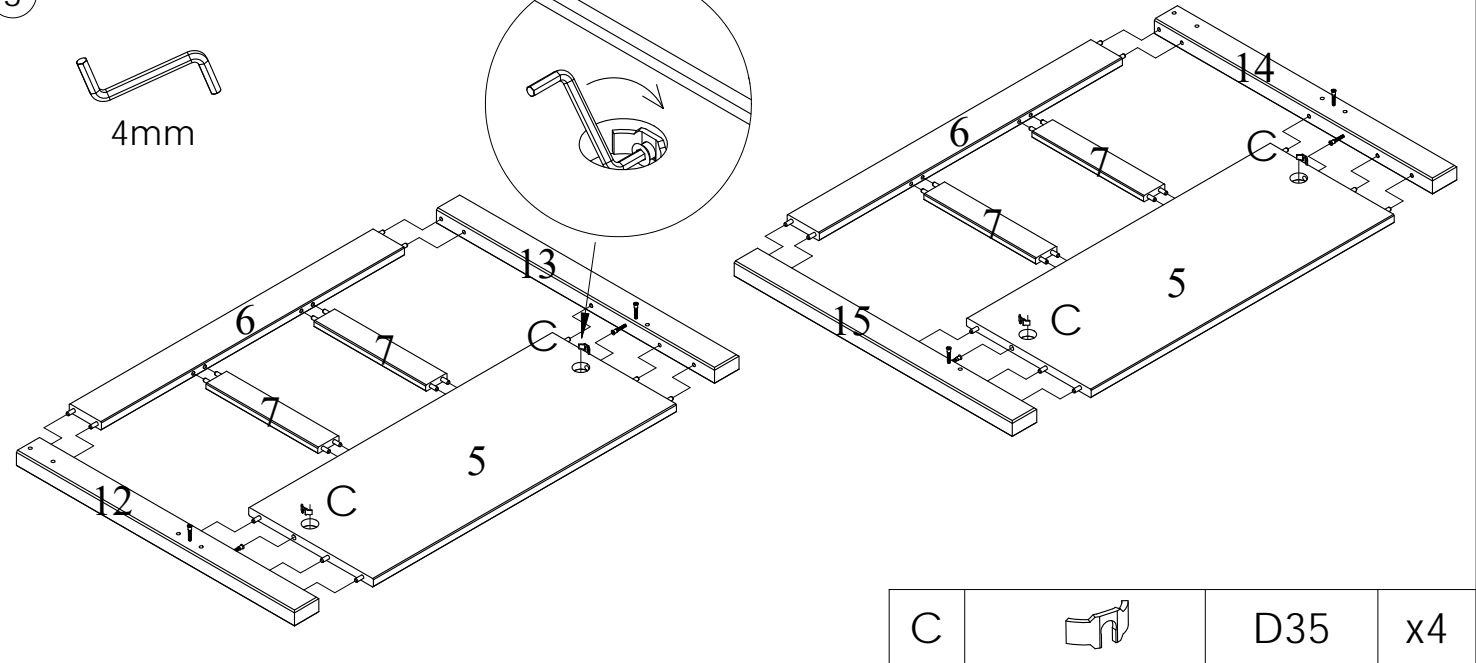
A		8x40	x78
---	--	------	-----

②

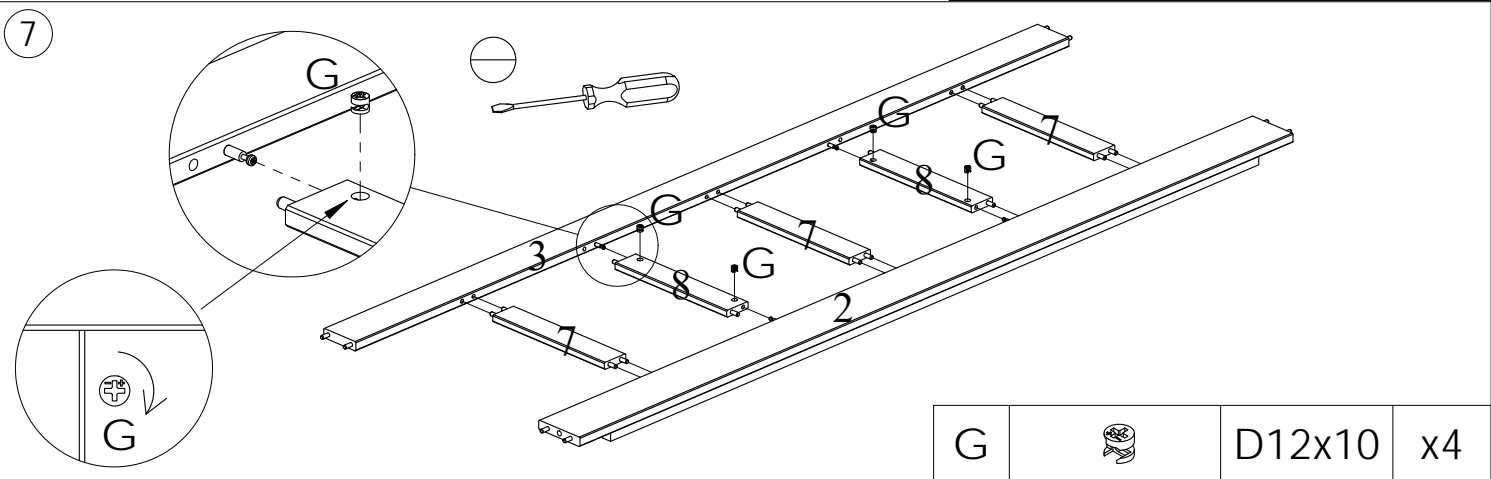
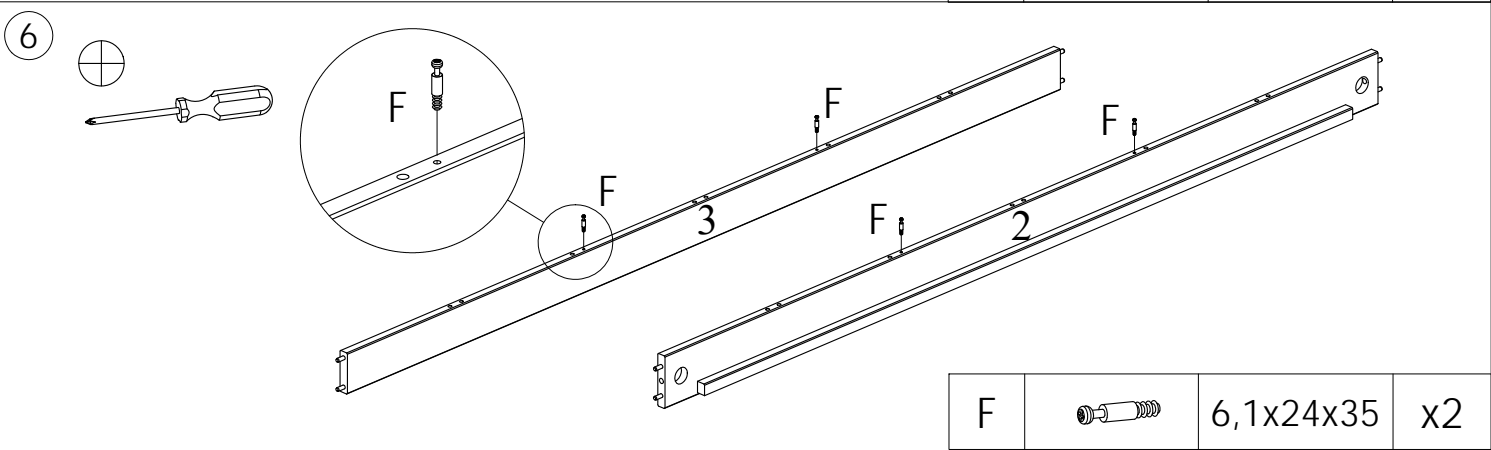
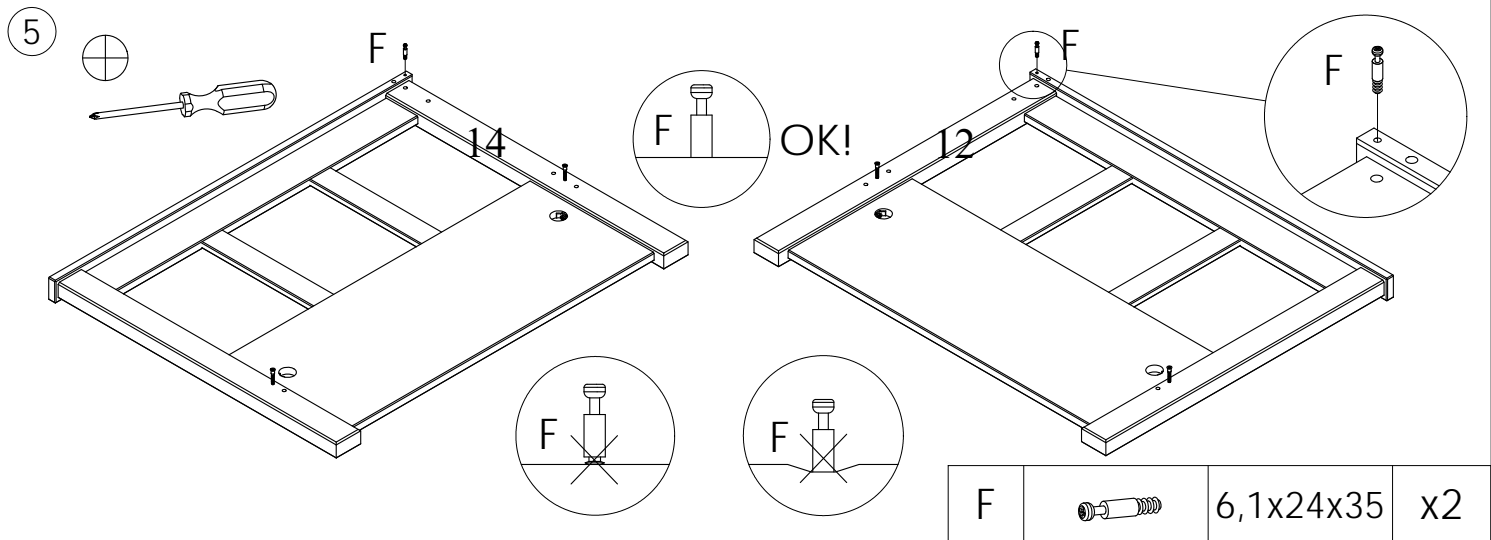
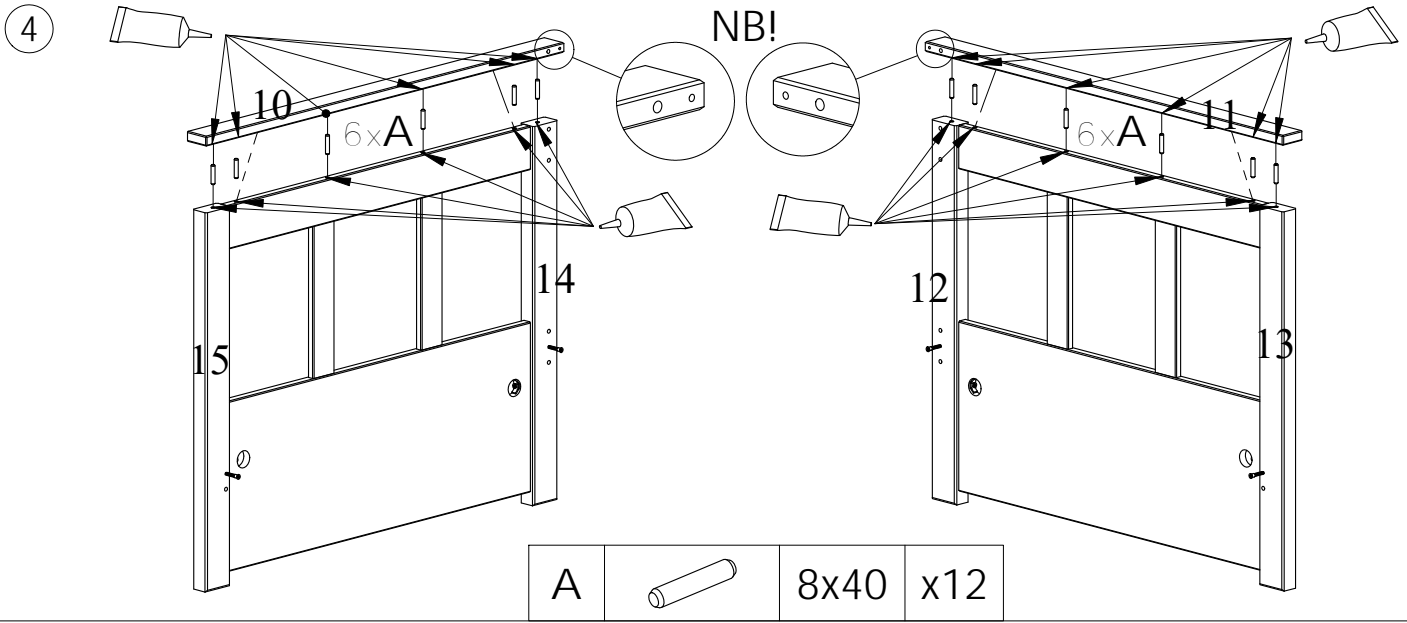


B		7x60	x10
---	--	------	-----

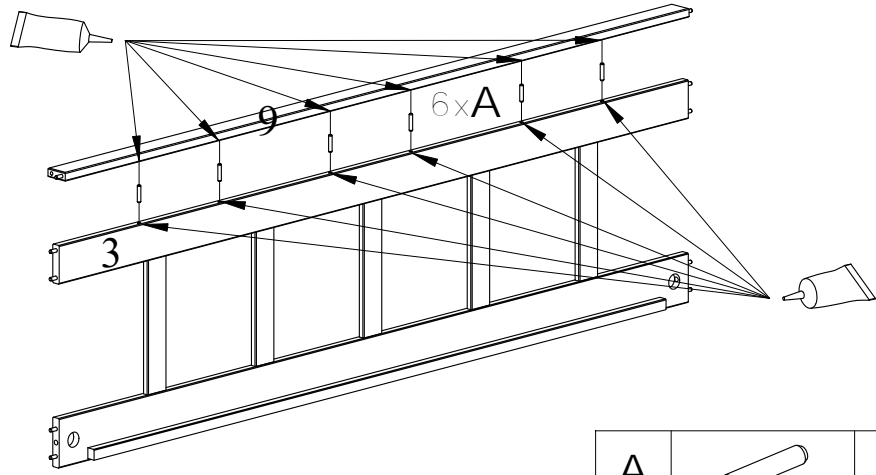
③

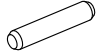


C		D35	x4
---	--	-----	----

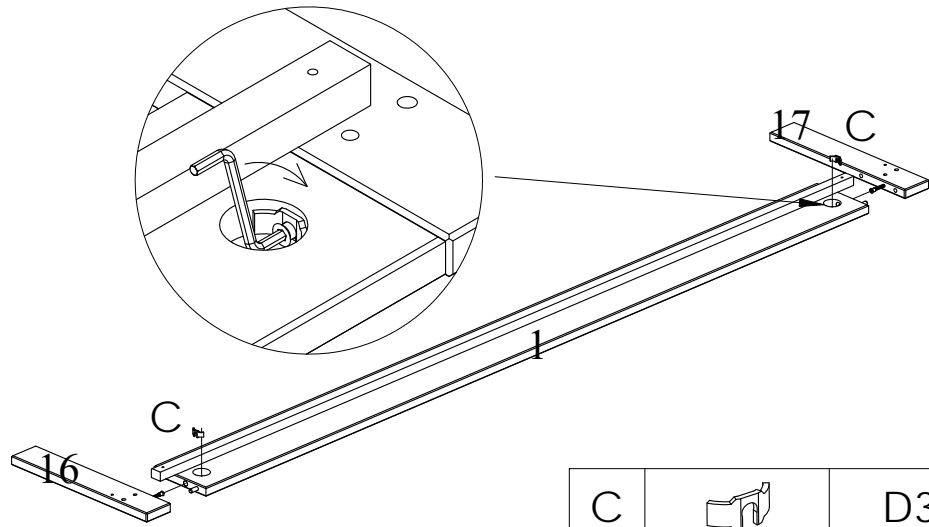
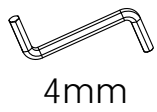


4



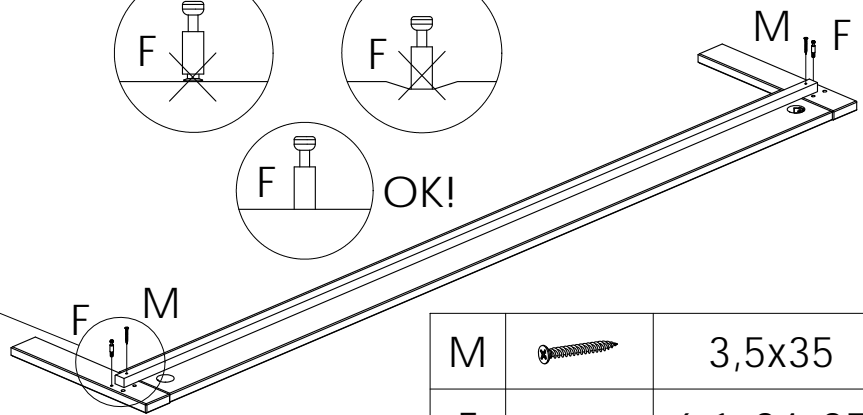
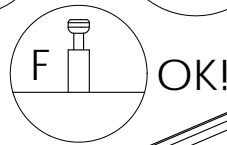
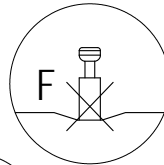
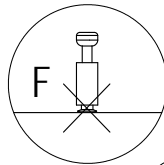
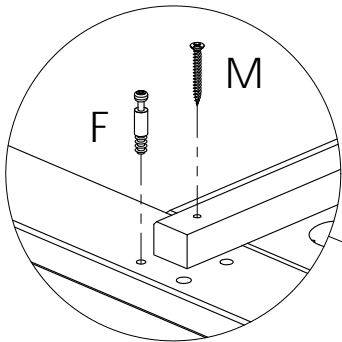
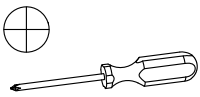
A		8x40	x6
---	---	------	----


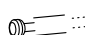
5



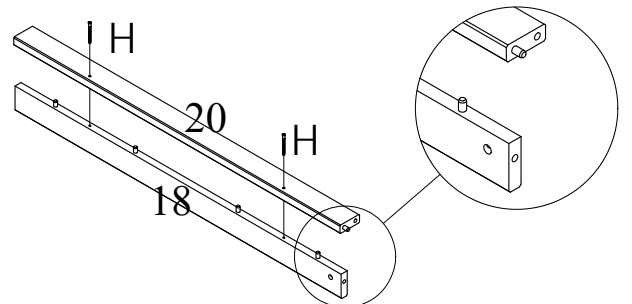
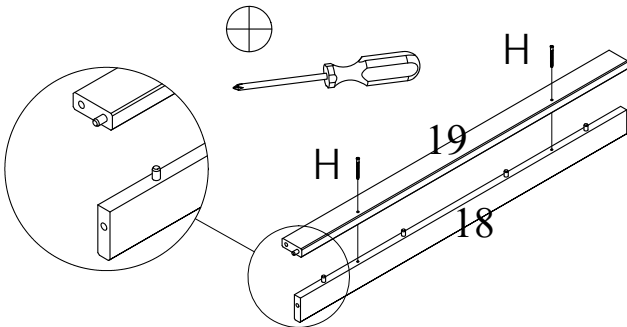
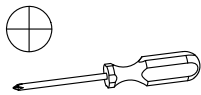
C		D35	x2
---	---	-----	----

6



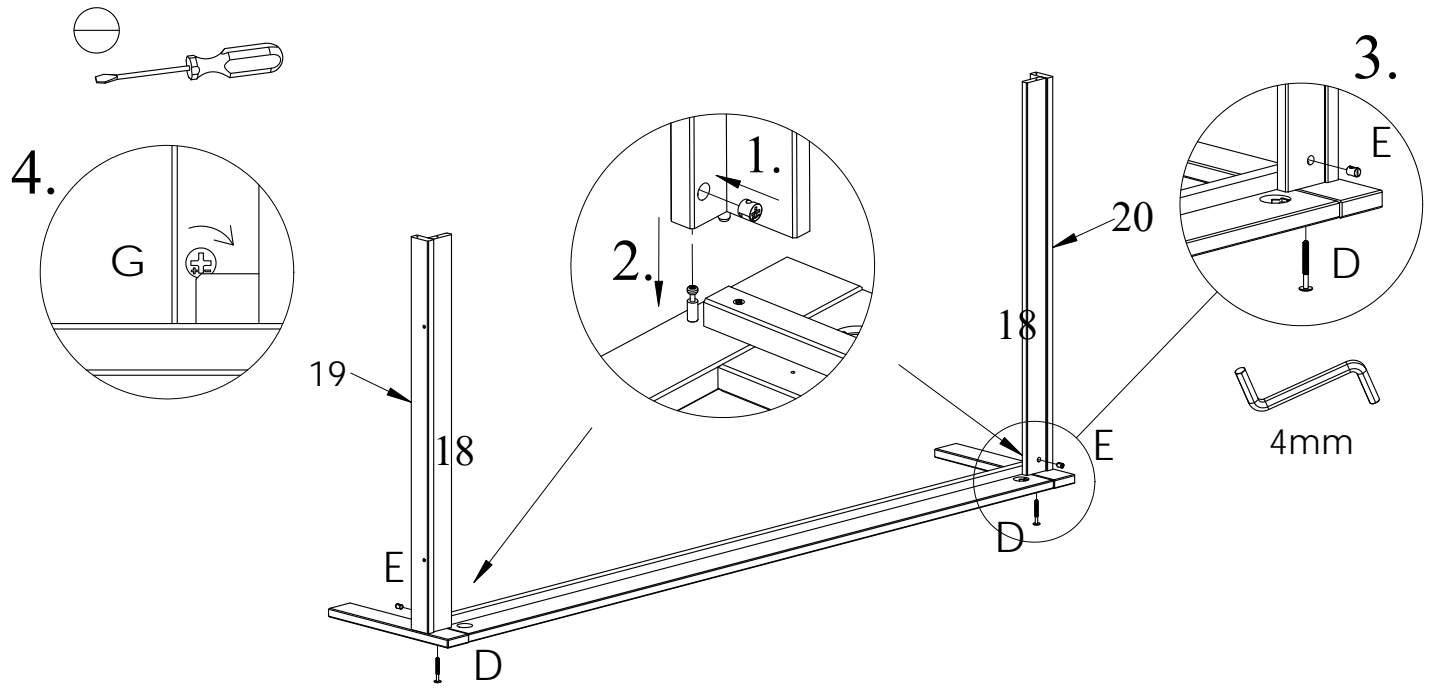
M		3,5x35	x2
F		6,1x24x35	x2



7



H		5x50	x4
---	---	------	----

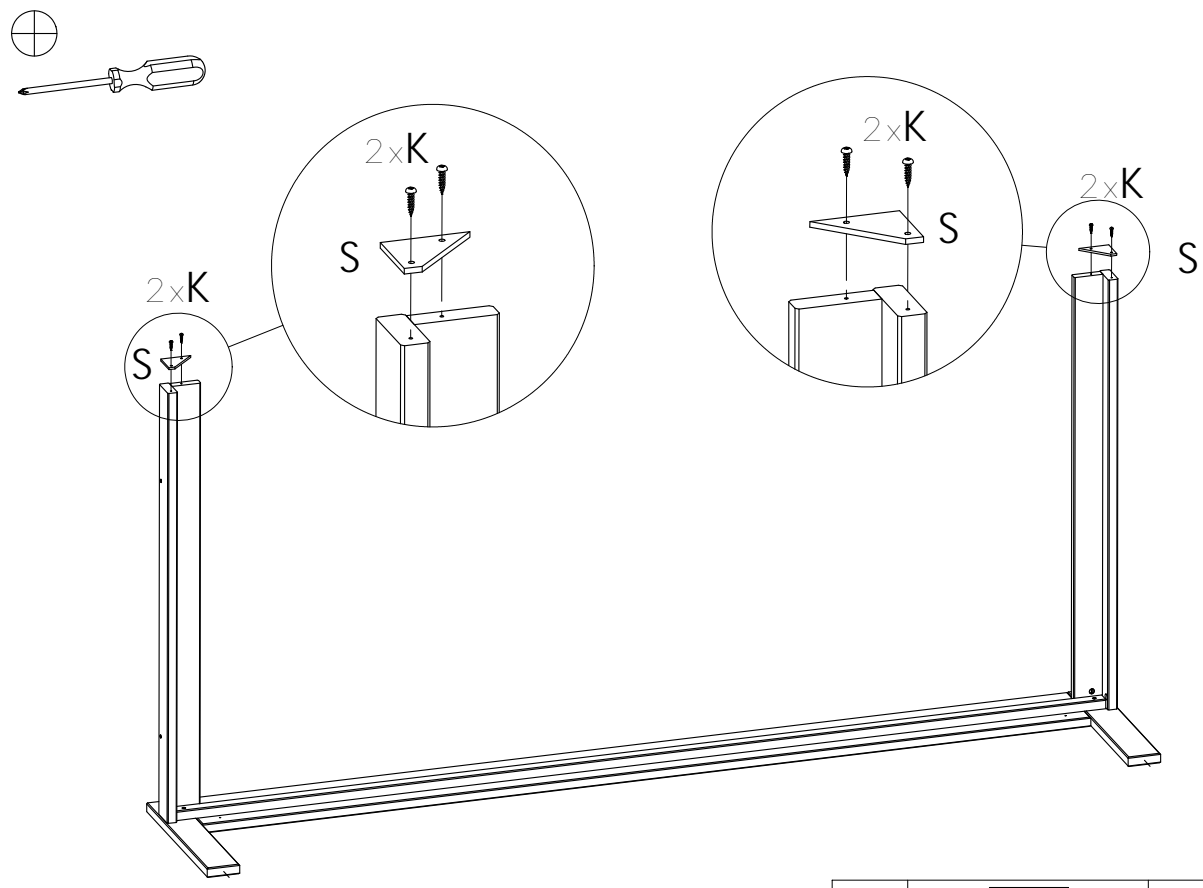
8

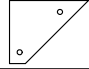



D		M6x55	x2
E		M6x10x13	x2

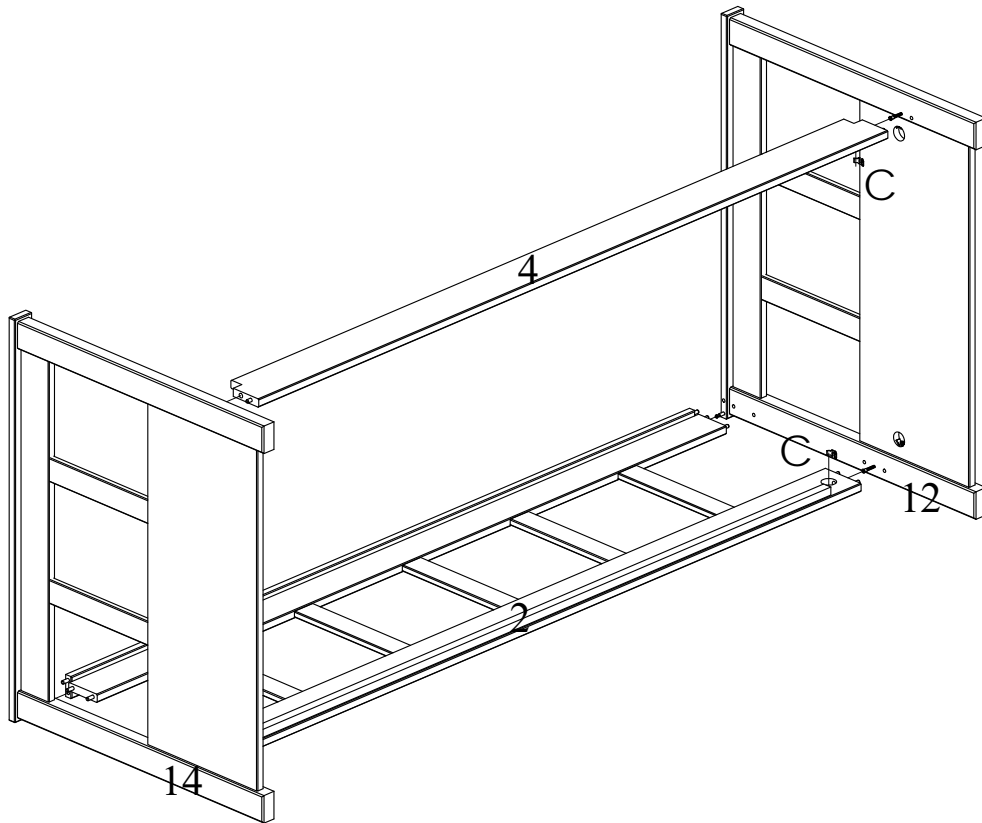
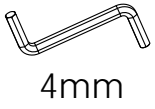
G		D12x10	x2
---	---	--------	----

9



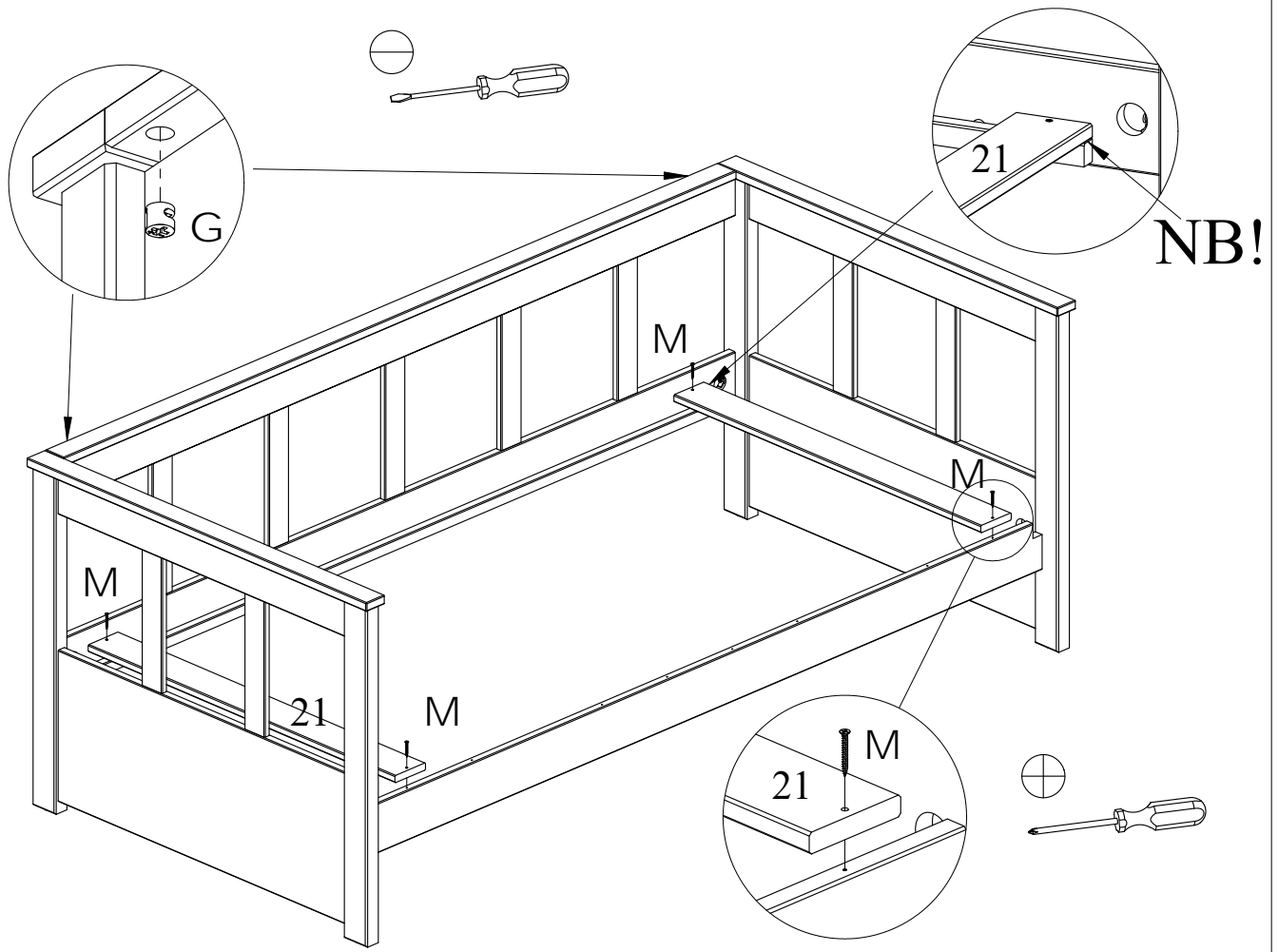
S		60x50x4	x2
K		4x20	x4

10



C		D35	x4
---	--	-----	----

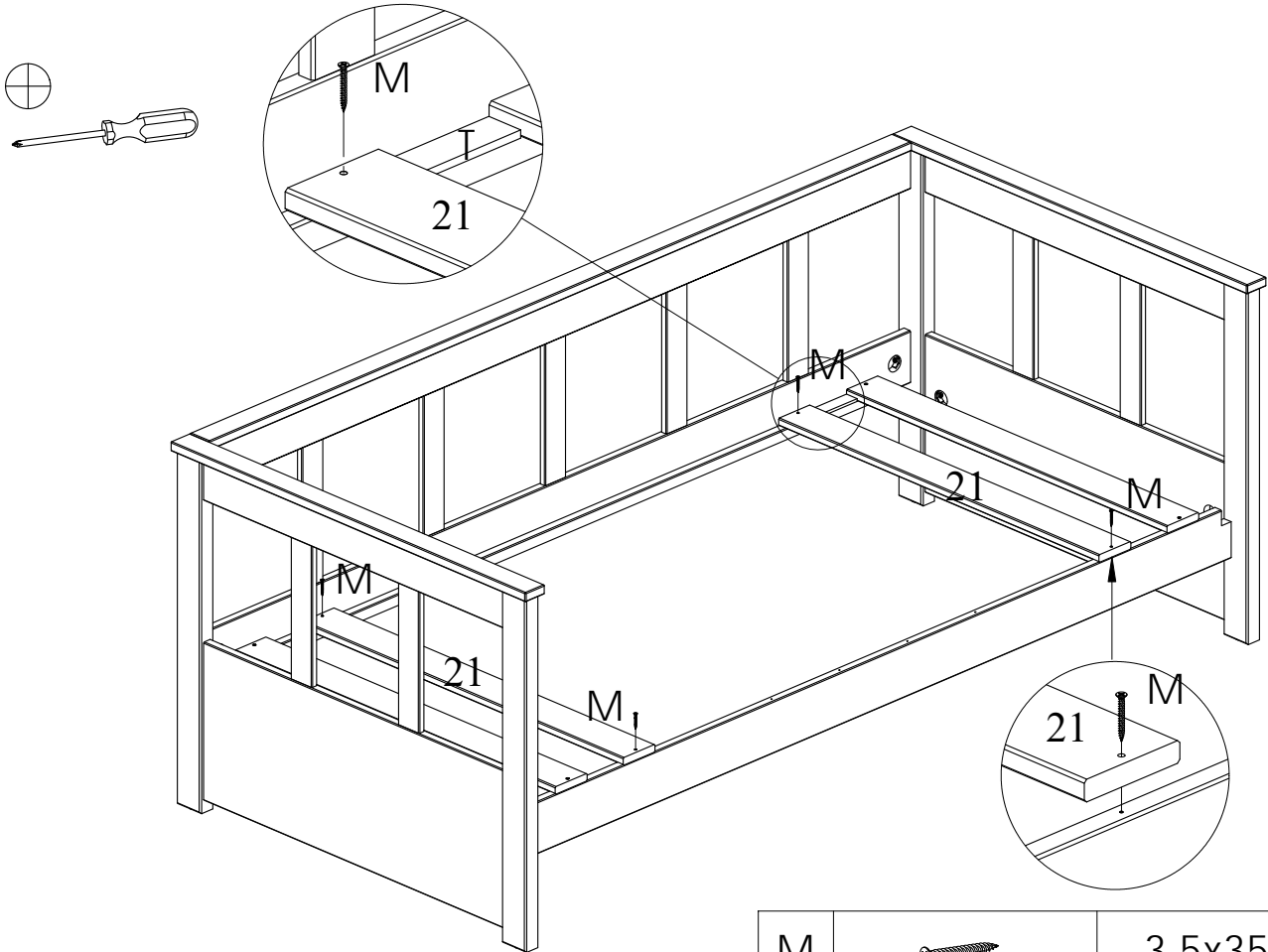
11





G		D12x10	x2
---	--	--------	----

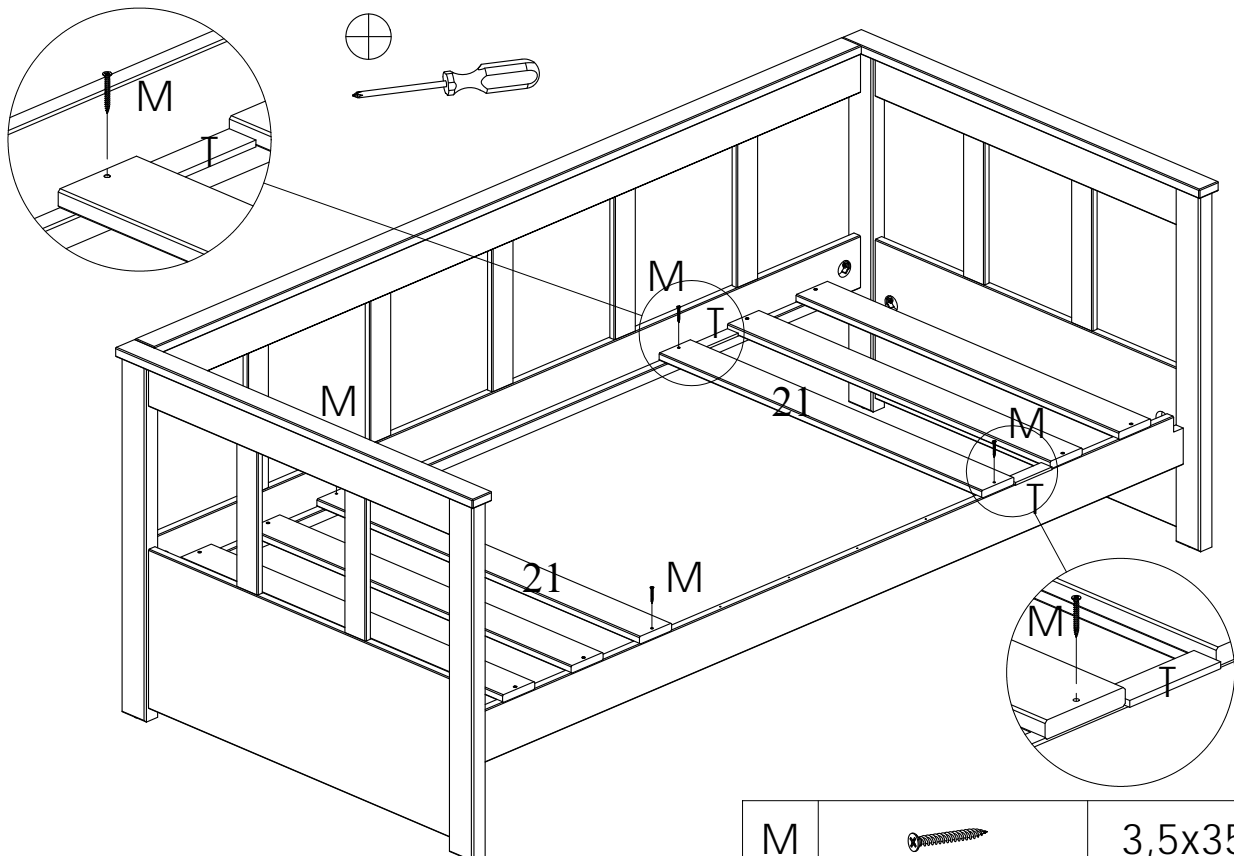
M		3,5x40	x4
---	--	--------	----



12



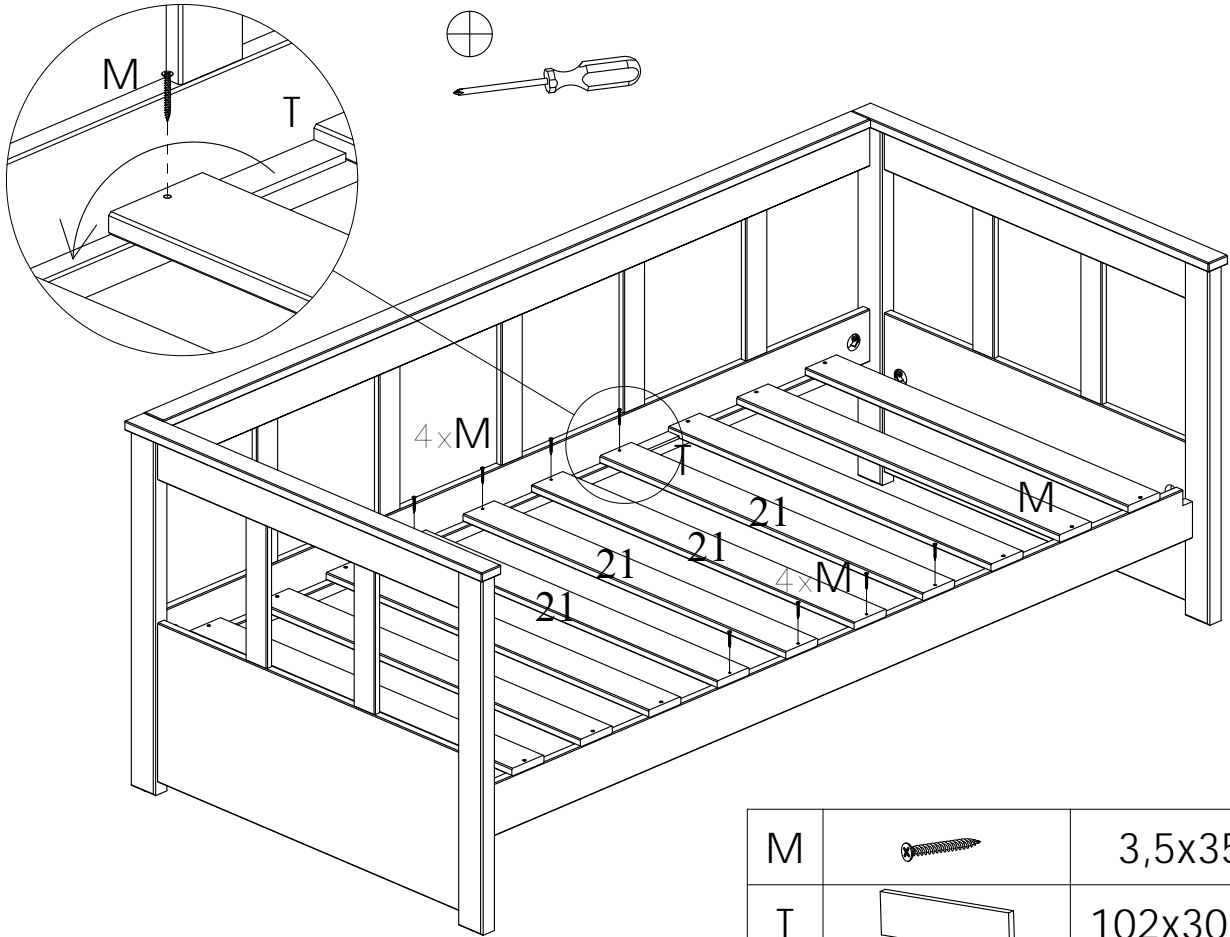
M		3,5x35	x4
T		102x30x6	x1



13



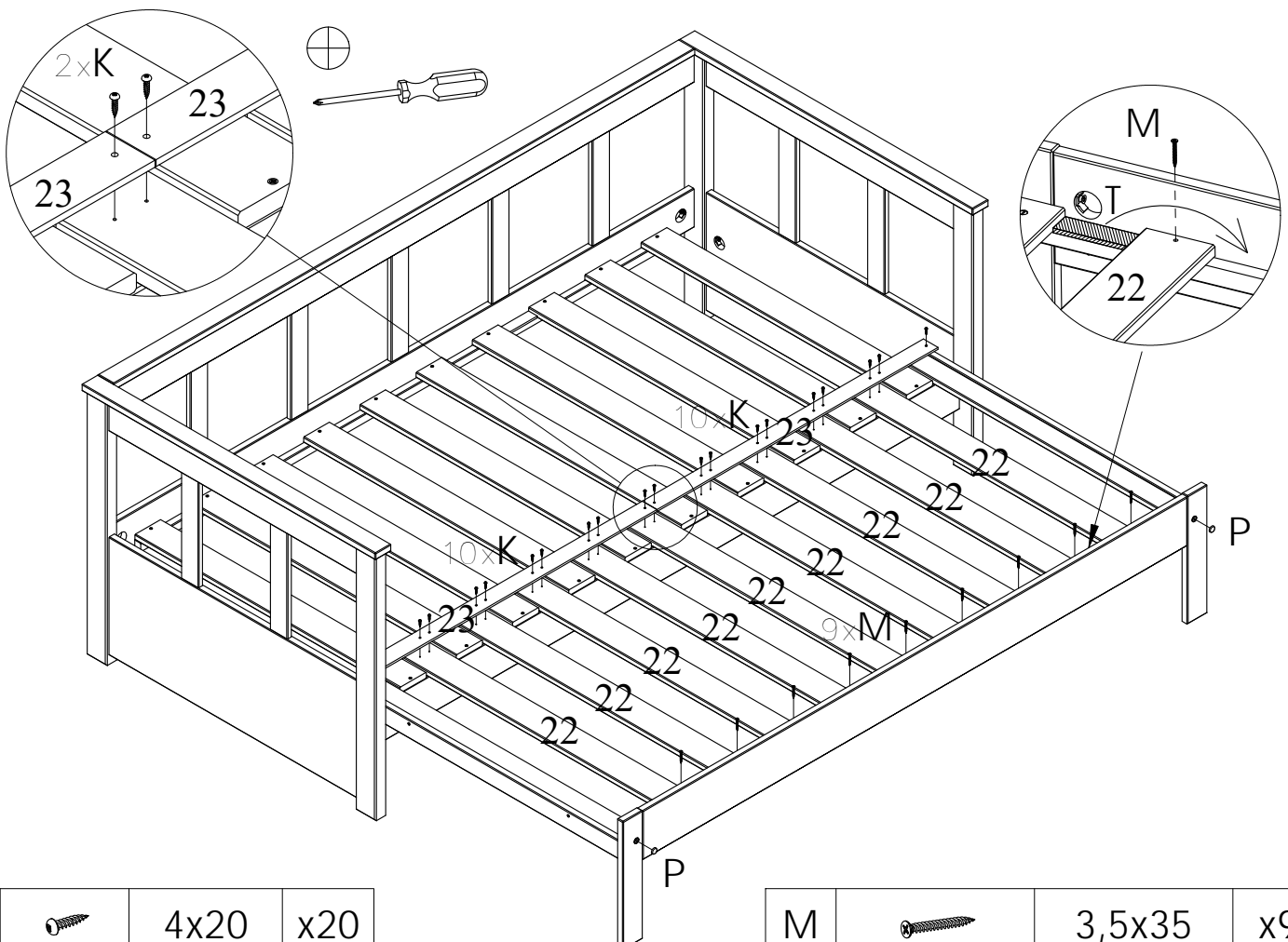
M		3,5x35	x4
T		102x30x6	x2



14





M		3,5x35	x8
T		102x30x6	x1

15



K		4x20	x20
R		D15x18	x2

M		3,5x35	x9
T		102x30x6	x1