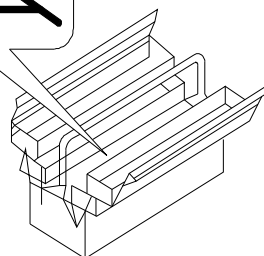
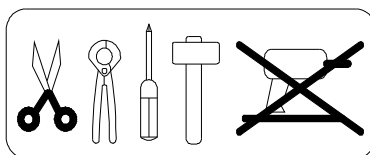
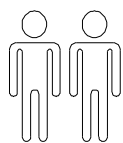
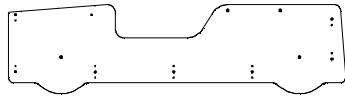
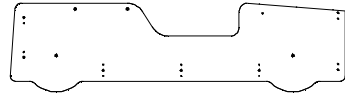
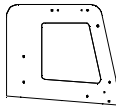
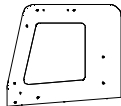
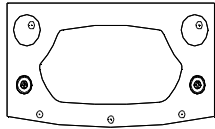
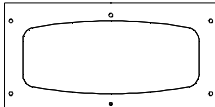
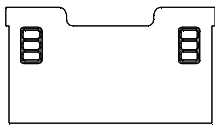

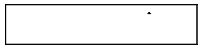


- | | |
|---------------------------------------|-----------------------------------|
| D Montageanleitung | GB Assembly instructions |
| NL Handleiding voor de montage | PL Instrukcja montazu |
| TR Montaj talimati | RU Инструкция по монтажу |
| FR Notice de montage | IT Istruzioni di montaggio |
| CS Montážní návod | SK Návod na montáž |
| HU Szerelési útmutató | RO Instrucțiuni de montaj |



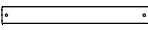
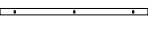
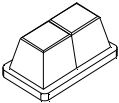






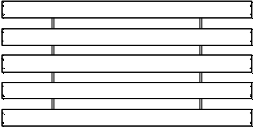
SCFT201

ITEM NO.	MEASUREMENT	QTY	SHAPE	CARTON NO.
①	2150 X 500 X 15	X1		1-4
②	2150 X 500 X 15	X1		1-4
③	600 X 500 X 15	X1	 (R)	2-4
④	600 X 500 X 15	X1	 (L)	2-4
⑤	930 X 470 X 30	X1		2-4
⑥	930 X 430 X 15	X1		2-4
⑦	930 X 500 X 15	x1		2-4
⑧	930 X 300 X 15	x1		2-4
⑨	930 X 160 X 15	x1		2-4

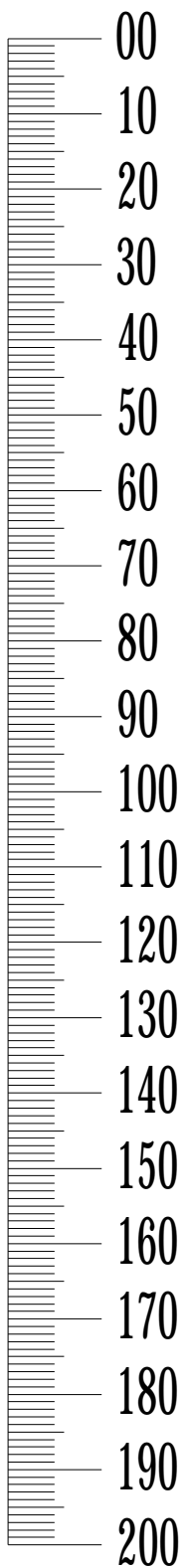
2010x930

2 OF 11
Ver1.013

SCFT201

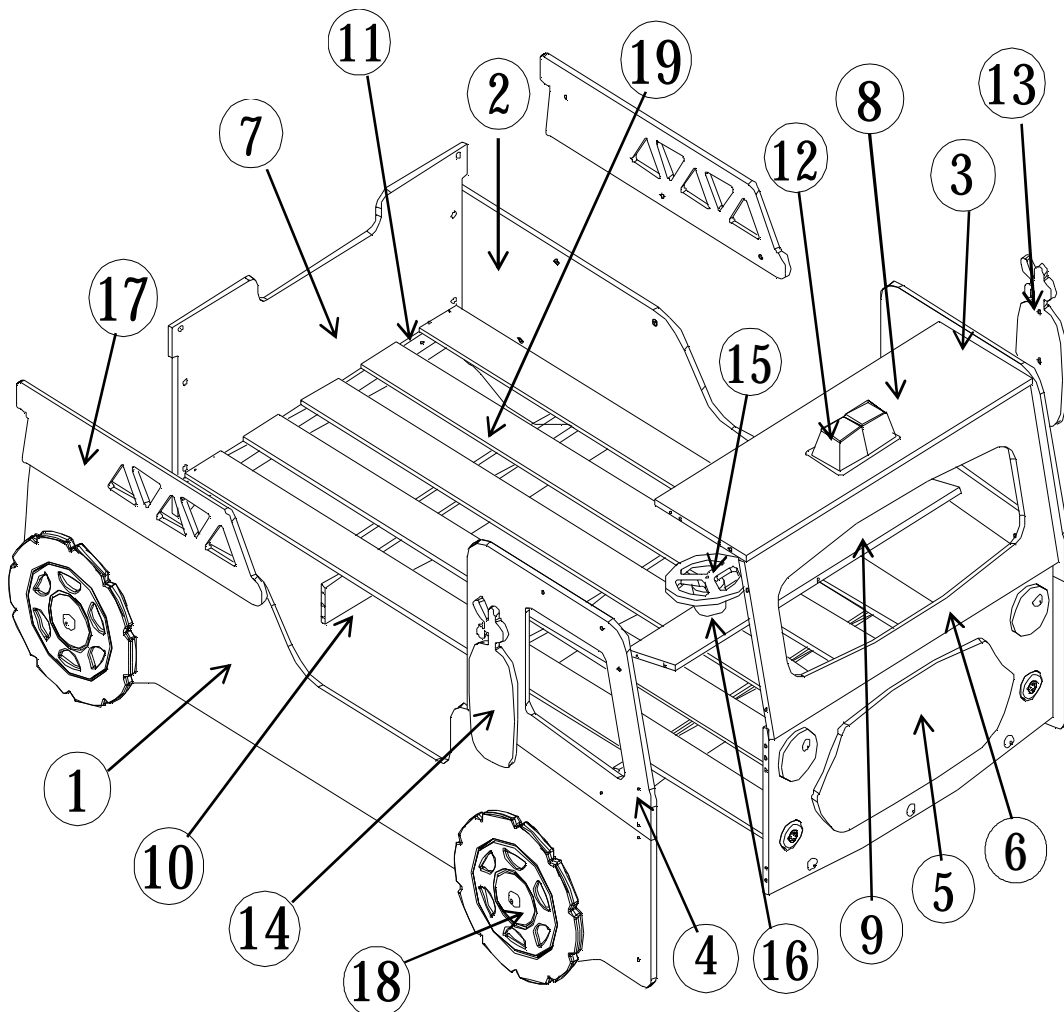
ITEM NO.	MEASUREMENT	QTY	SHAPE	CARTON NO.
⑩	930 X 98 X 15	x3		2-4
⑪	900 X 40 X 15	x2		2-4
⑫	200 X 118 X 80	x1		2-4
⑬	400 X 148 X 15	x1		2-4
⑭	400 X 148 X 15	x1		2-4
⑮	200 X 200 X 12	x1		2-4
⑯	50 X 50 X 35	x1		2-4
⑰	800 X 200 X 15	x2		2-4
⑱	400 X 400 X 25	x4		3-4
⑲	2007 X 930 X 12	x1		4-4

2010x930



Service • Asistenza • Dienstverlening • Servis
Servis • Szerviz • Сервисная служба

Name • Nom • Nome • Naam • Nazwa • Jméno • Názov • Név • Denumire • Isim • Название	
Nr. • No. • N° • Номер • Číslo	
Тур • Type • Típus • Tipus • Тíро • Тип	



- | | | | | | | |
|-----------------------------|------------------------------|------------------------------|------------------------------|-----------------------------|------------------------------|--|
| A

x12 | B

x11 | C
10x11

x18 | D
38x11

x5 | E
8x30

x32 | F
3.5x29

x8 | |
| G1
6x20

x4 | G2
6x25

x14 | G3
6x40

x4 | G4
6x50

x18 | G5
6x70

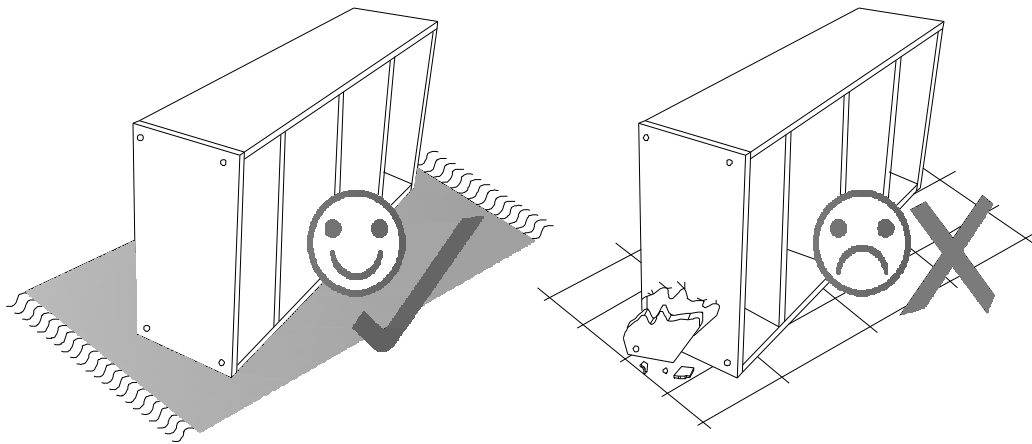
x1 | H
6x15

x1 | |
| I
6

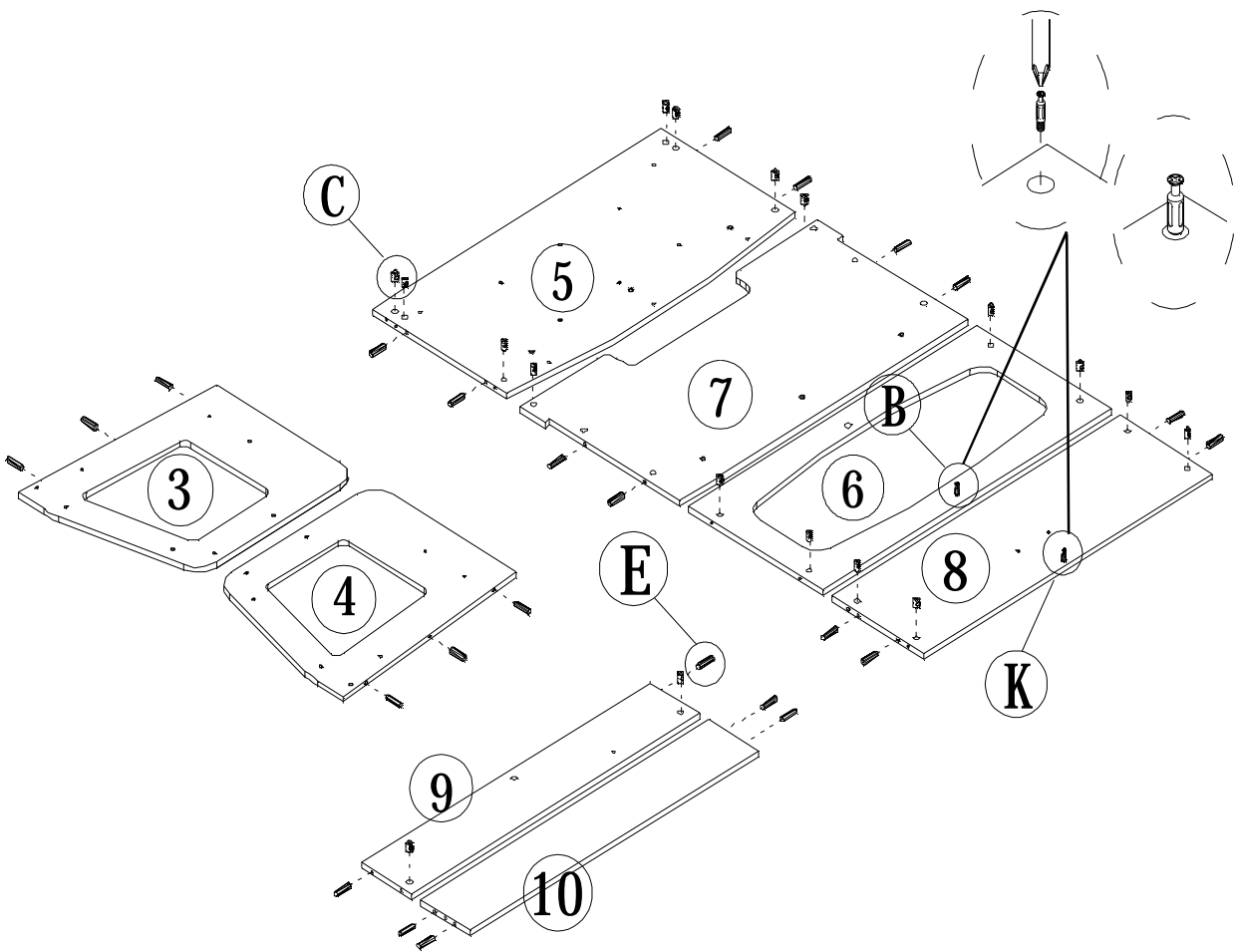
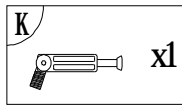
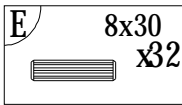
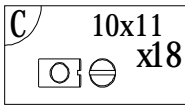
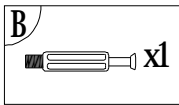
x1 | J

x4 | K

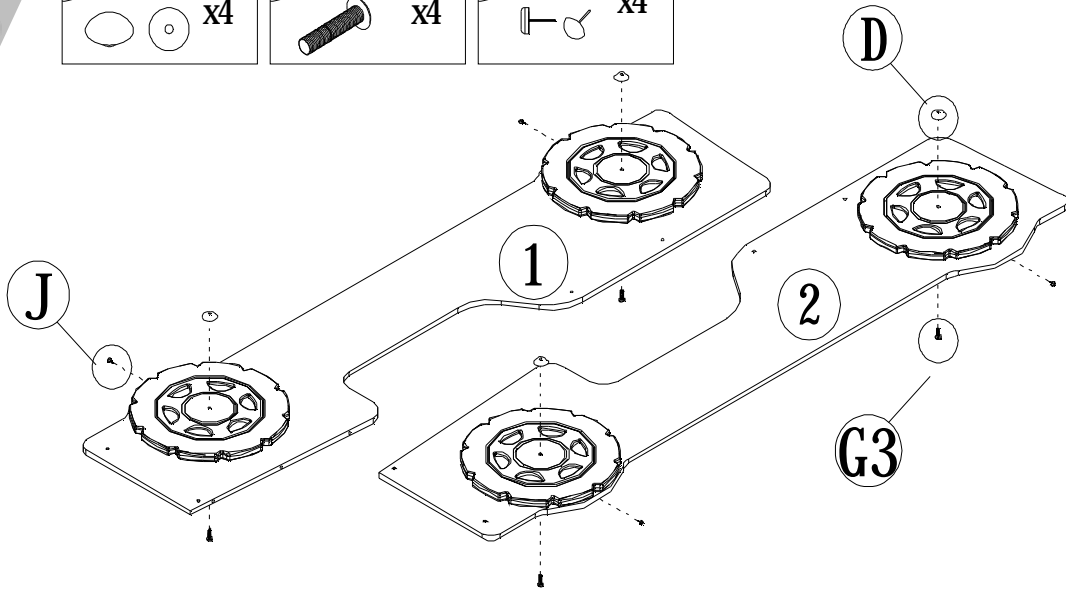
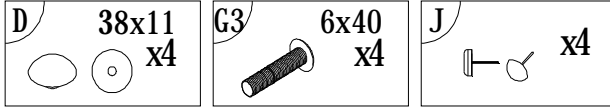
x1 | | | | |



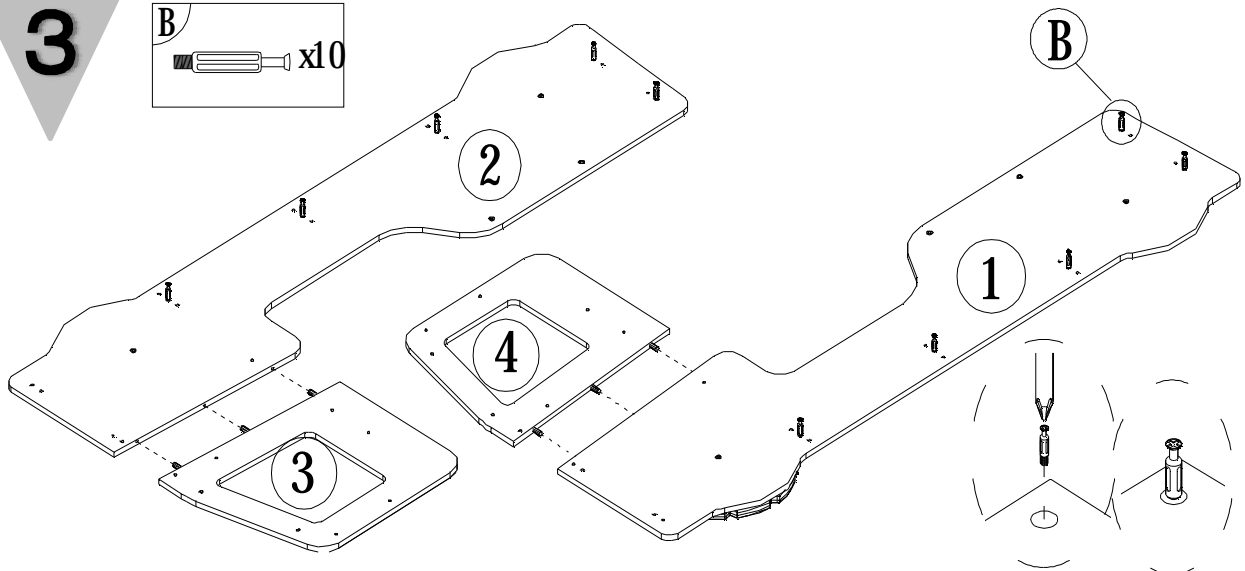
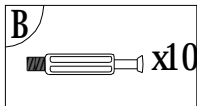
1



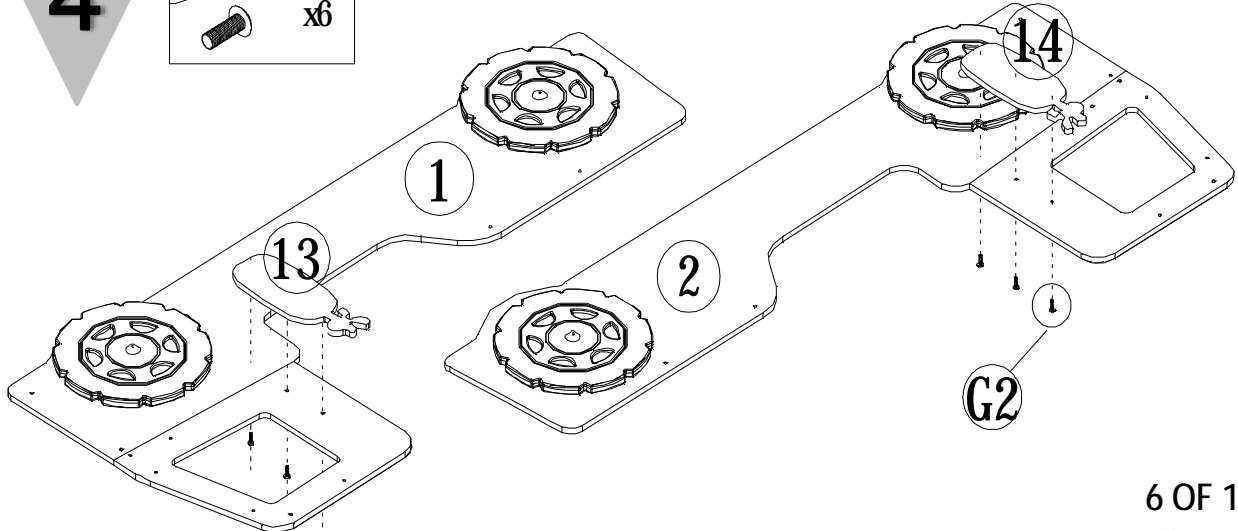
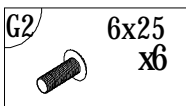
2



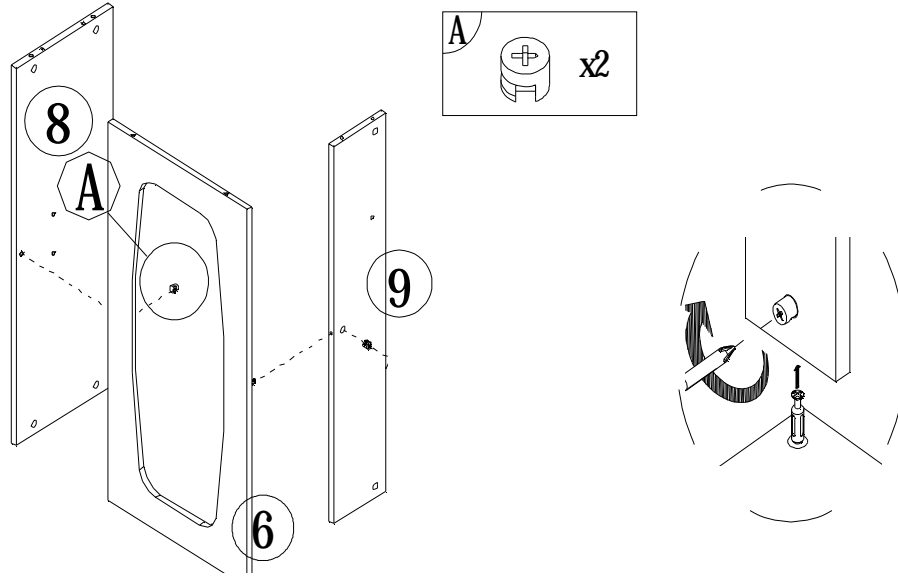
3



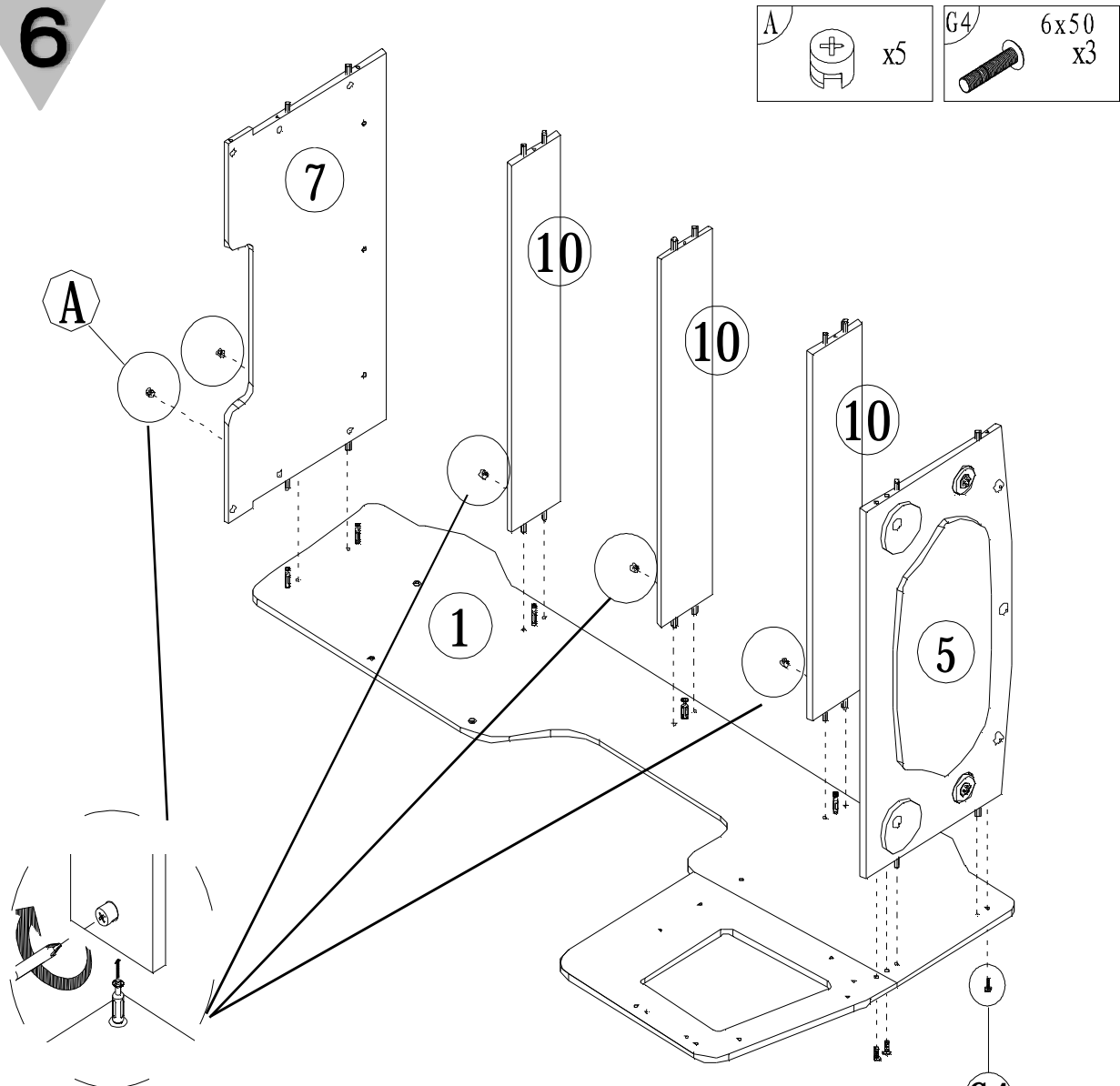
4



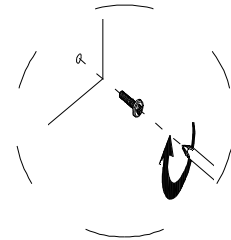
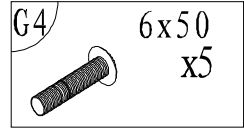
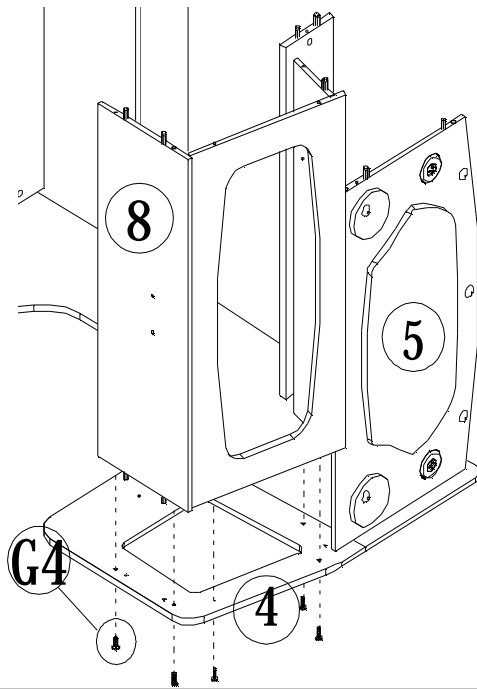
5



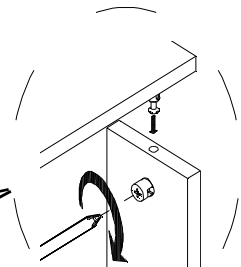
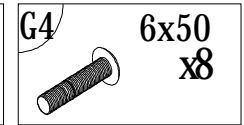
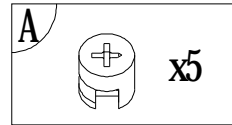
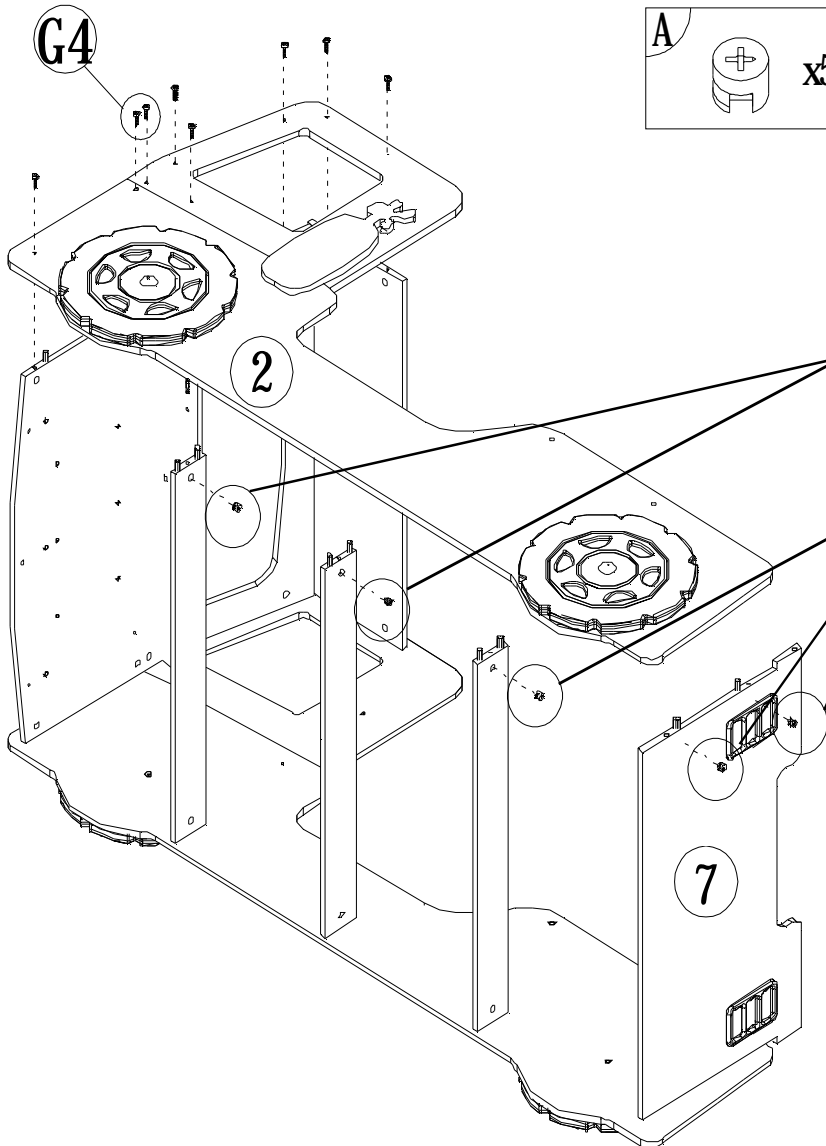
6



7

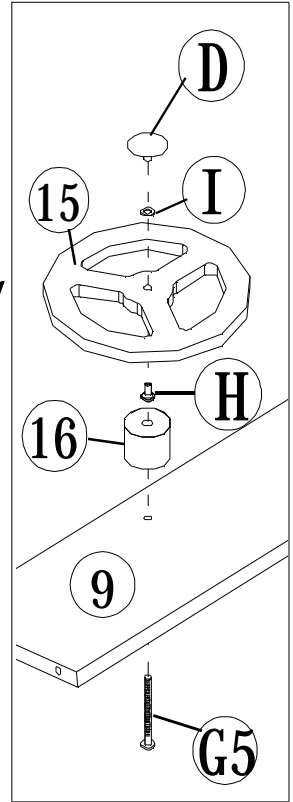
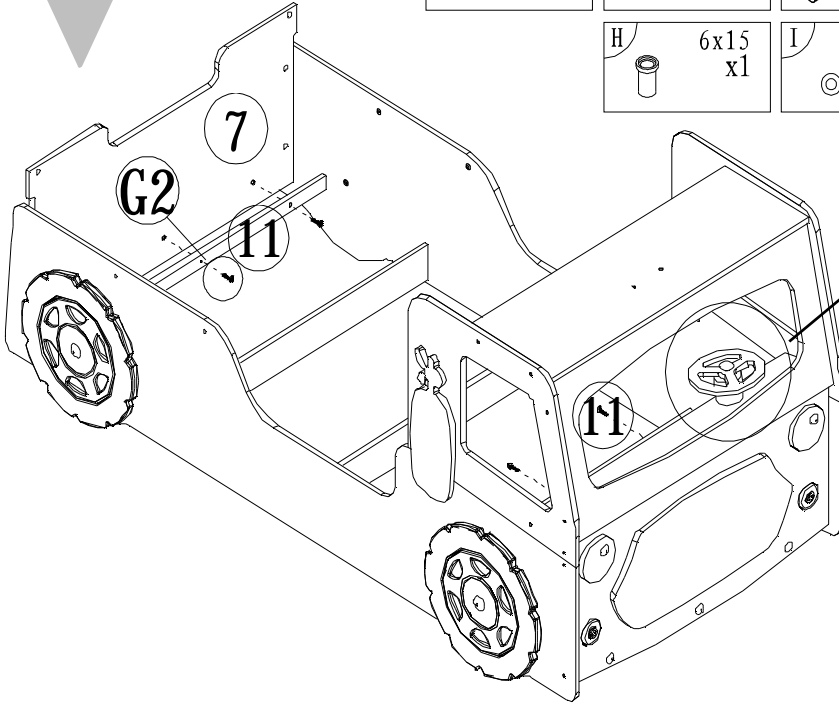


8



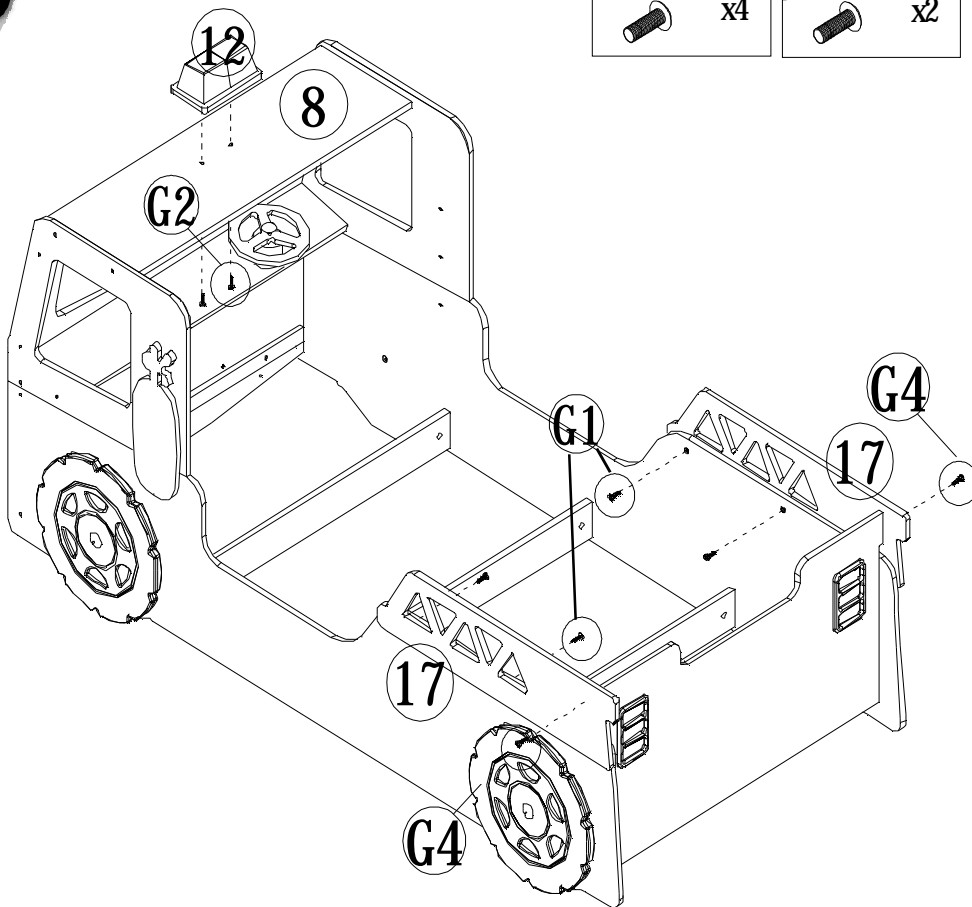
9

D	38x11 x1	G2	6x25 x6	G5	6x70 x1
H	6x15 x1	I	6 x1		



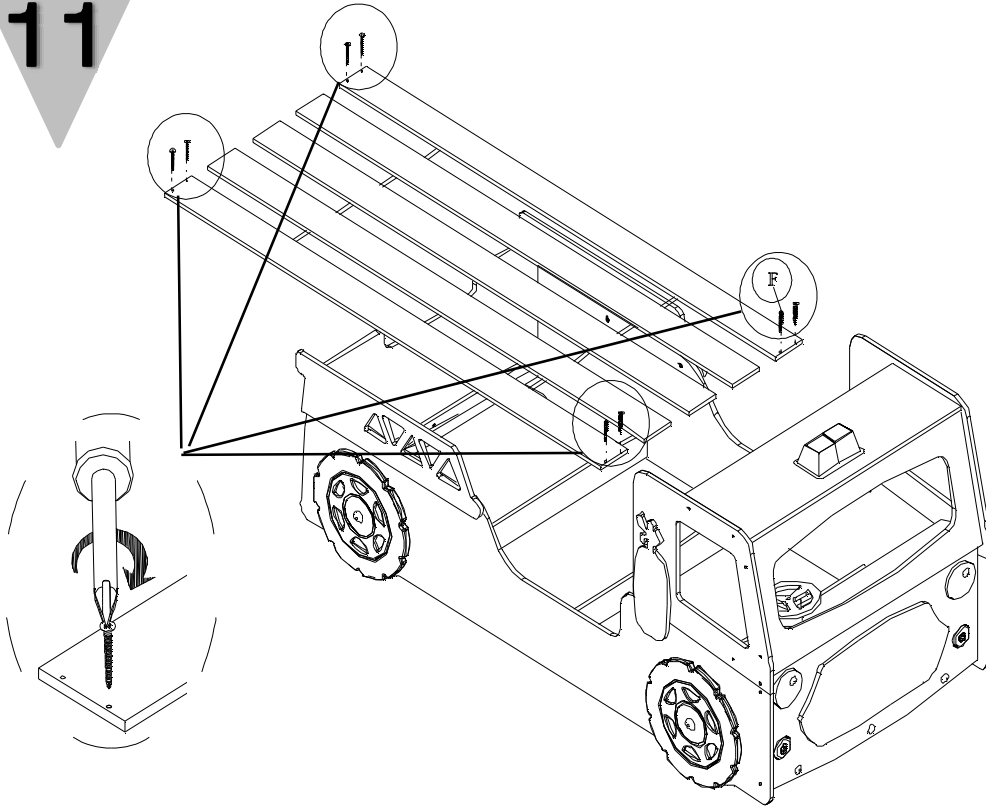
10

G1	6x20 x4	G2	6x25 x2	G4	6x50 x2
----	------------	----	------------	----	------------

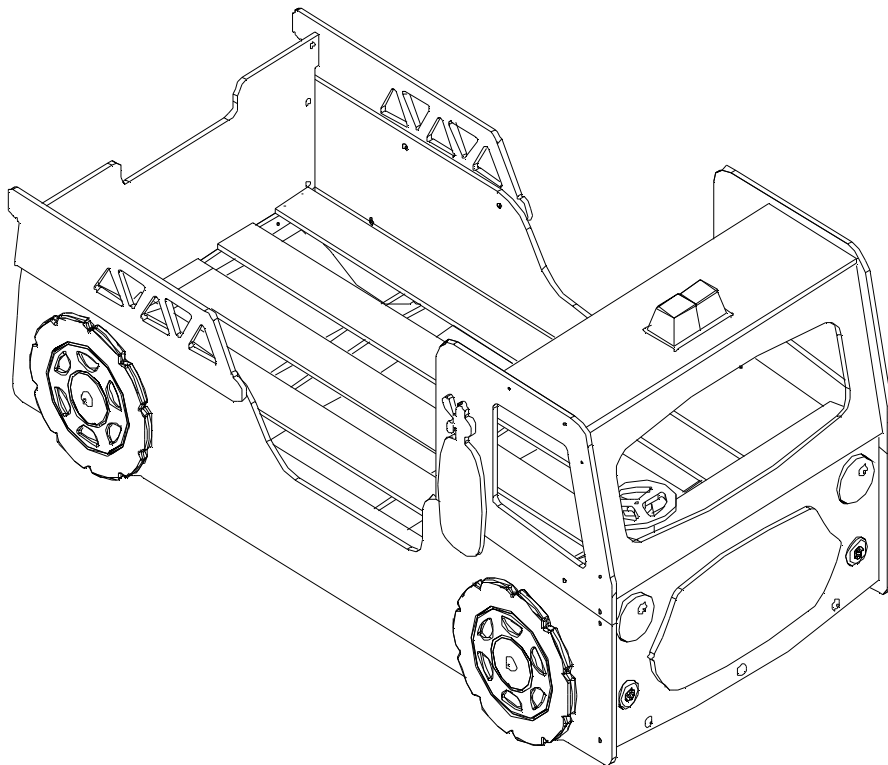


11

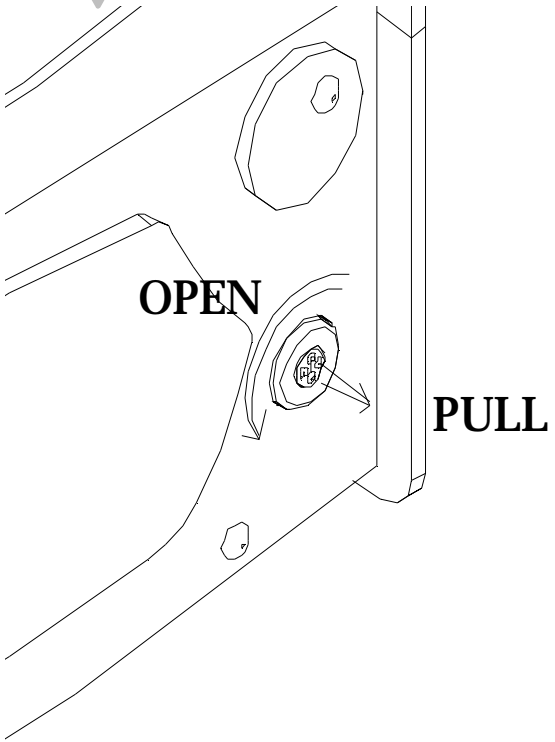
F 3.5x29
x8



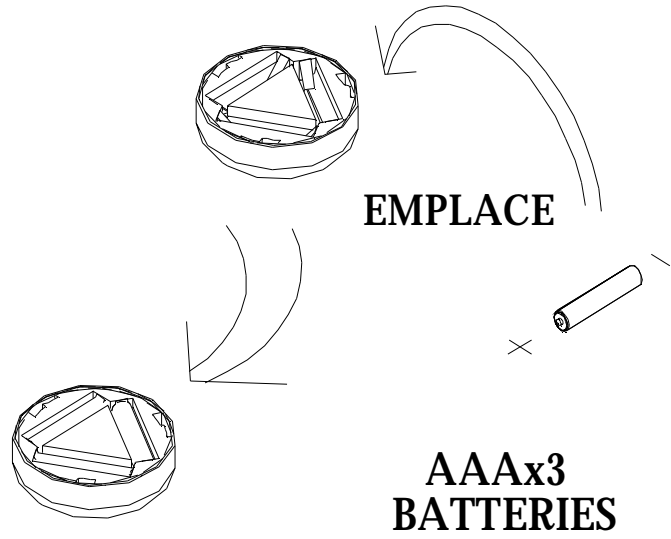
12



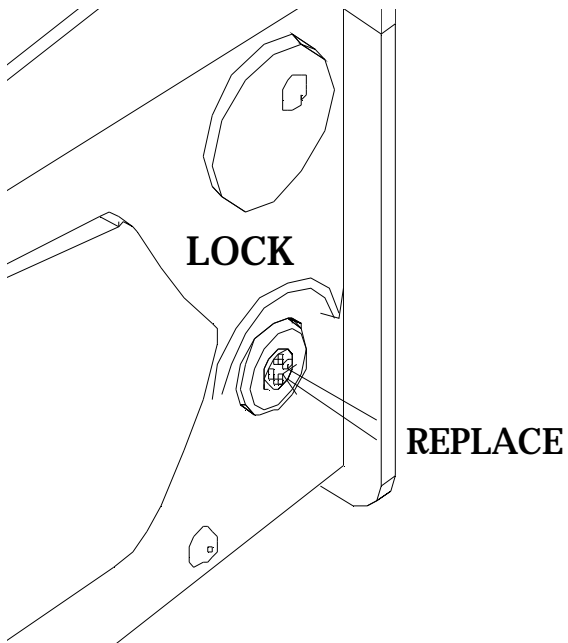
13



14



15



16

