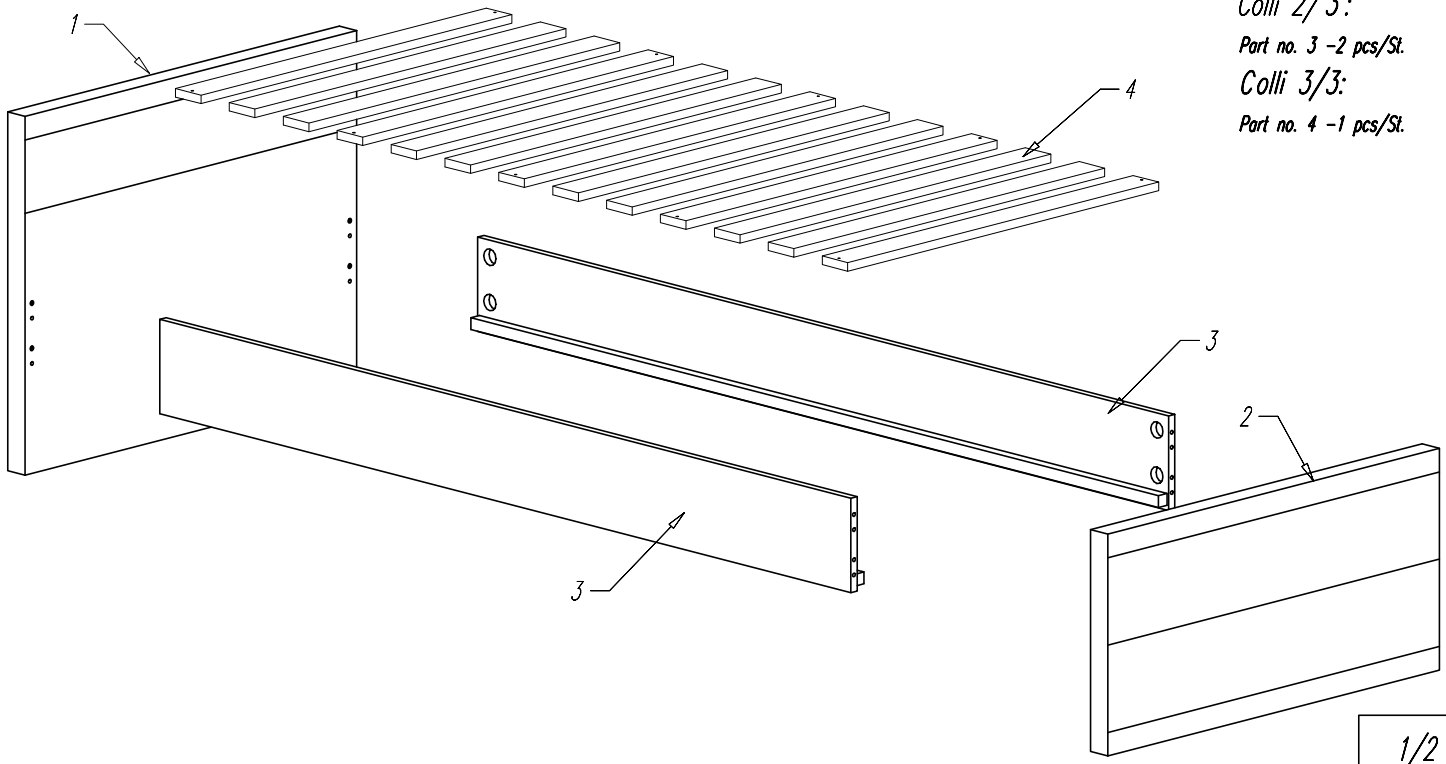


- A**  
  
 $\varnothing 8 \times 40$   
 x8
- B**  
  
 MAXIFIX  
 M6  
 x8
- C**  
  
 x8
- D**  
  
 $\varnothing 3,5 \times 30$   
 x10
- E**  
  
 x4
- SW6  
 x1

LARA-BED90 1/2009



Colli 1/3:  
 Part no. 1 -1 pcs/St.  
 Part no. 2 -1 pcs/St.  
 Fittings/Beschlage/Quincaillerie  
 Assembly instruction  
 /Instruction/Montage  
 Colli 2/3:  
 Part no. 3 -2 pcs/St.  
 Colli 3/3:  
 Part no. 4 -1 pcs/St.

3

B

B

B

3

B

B

B

3

B

B

B

3

B

B

B

1

A

C

A

C

2

E

E

E

E

2

C

C

1

A

A

