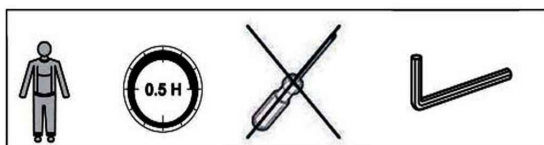
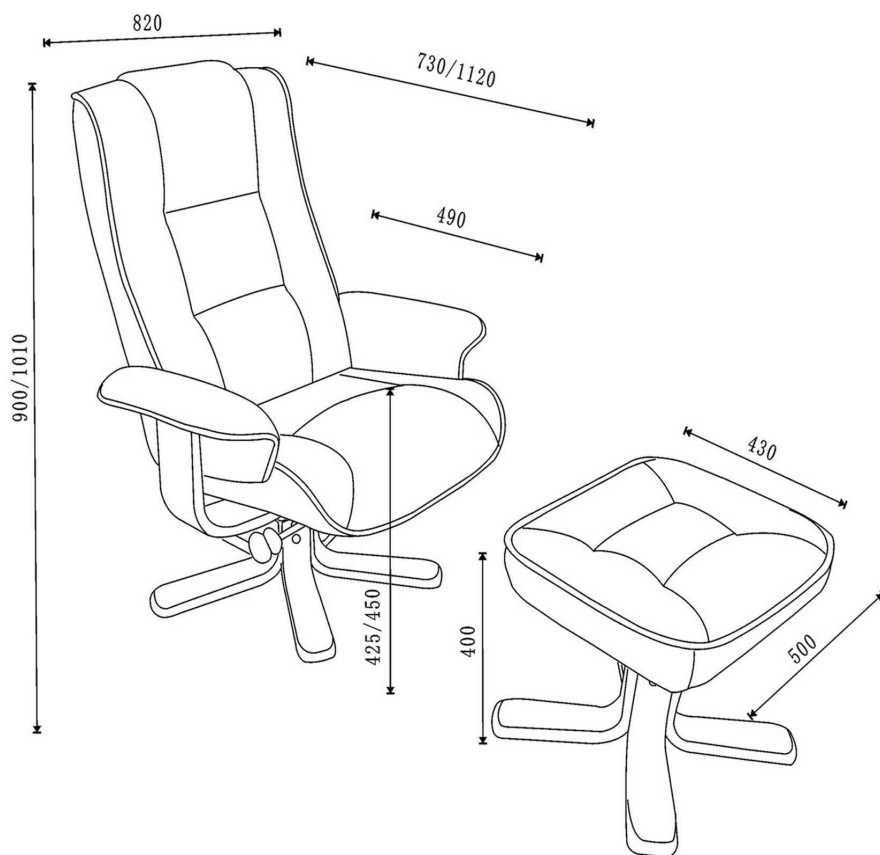
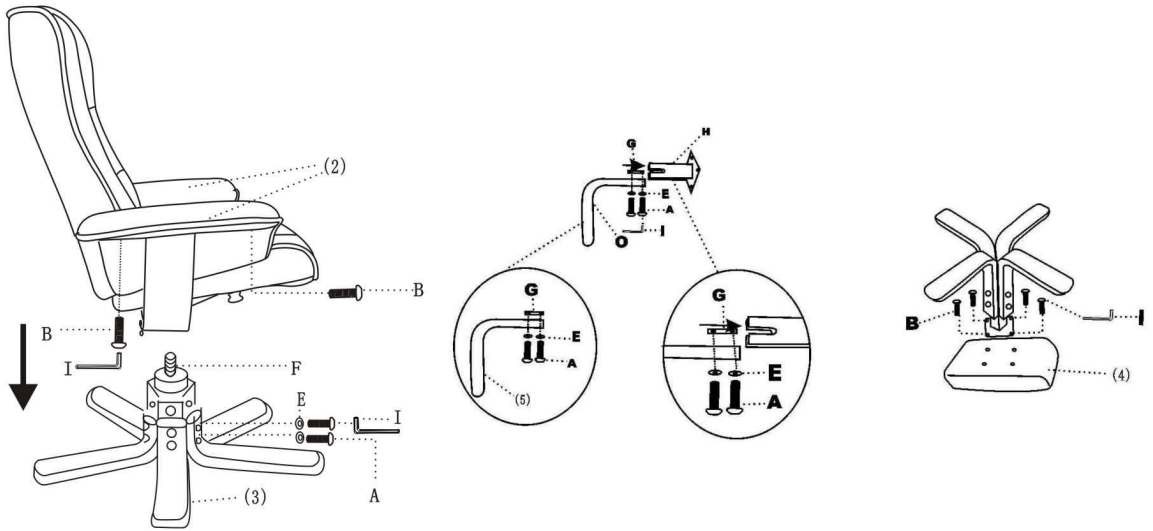


Limbo- A1

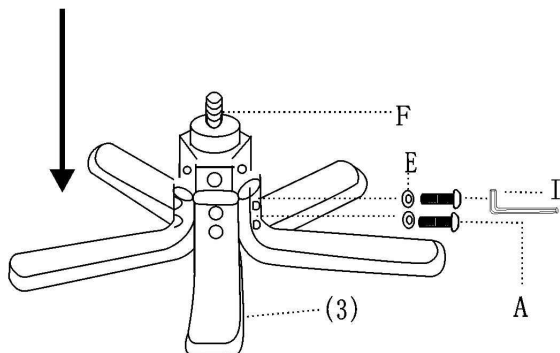




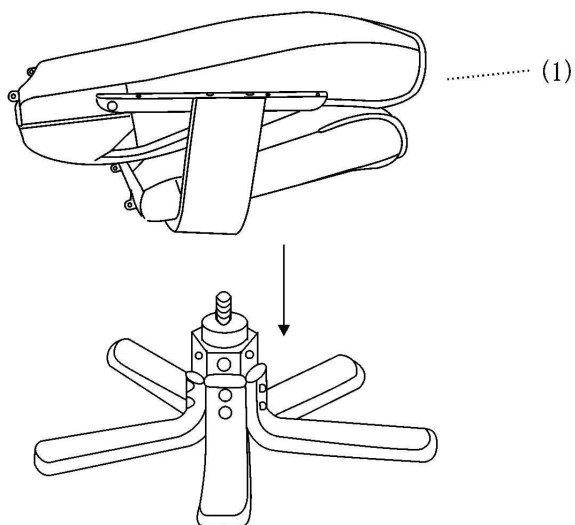
- | | | | | |
|-------|-----------|------------|-------|------------|
| (1) | (2) | (3) | (4) | (5) |
| | 2L 2R
 | | | |
| X1pcs | x2pcs | H15.5X5pcs | X1pcs | H20.5X4pcs |

- | | | | | |
|-------------|------------|-------|-------|--------|
| (A) | (B) | (C) | (D) | (E) |
| | | | | |
| M8X38X18pcs | M6X20X8pcs | X2pcs | X2pcs | X18pcs |
| (F) | (G) | (H) | (I) | |
| | | | | |
| X1pcs | X4pcs | X1pcs | X1pcs | |

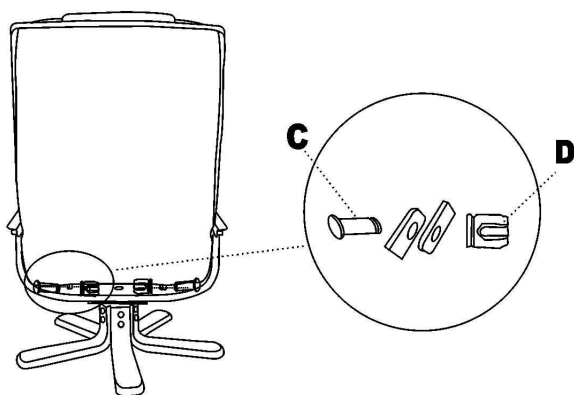
1



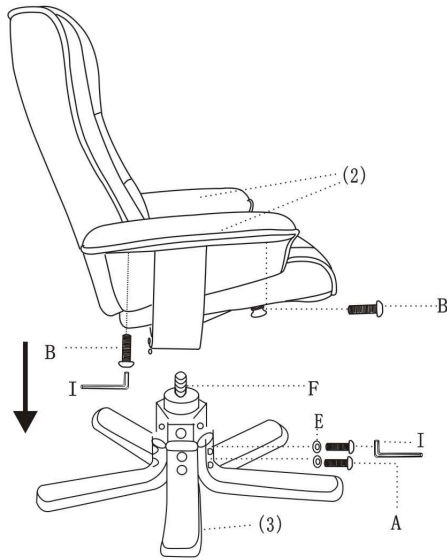
2



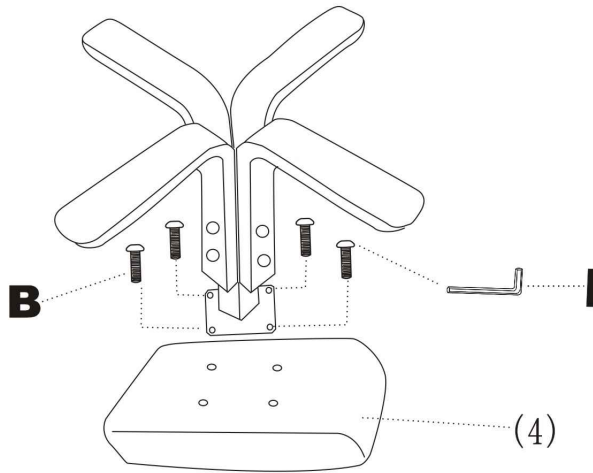
3



4



5



6

